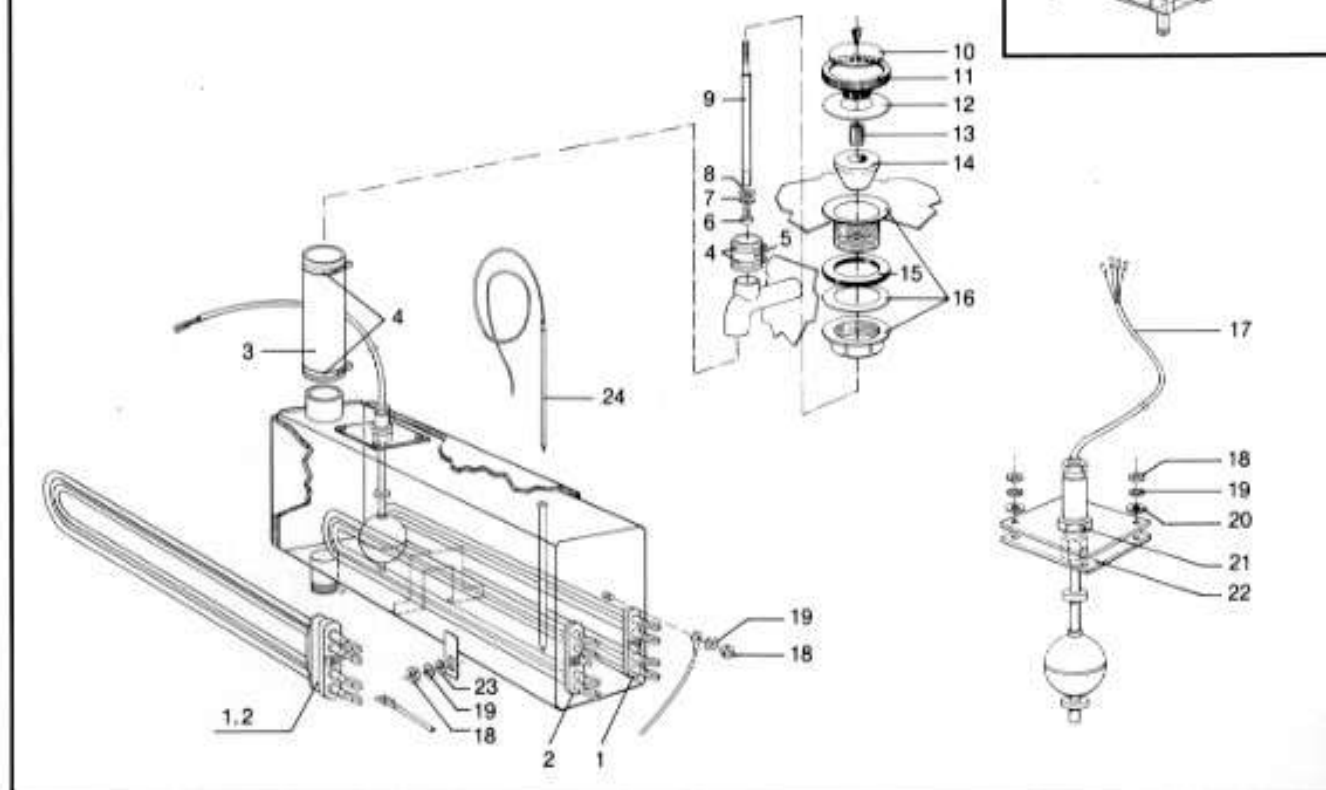
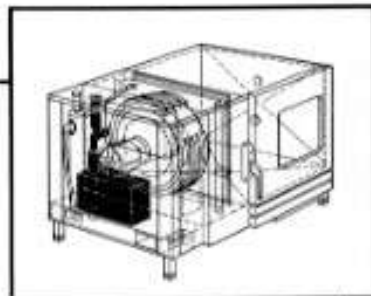


**Steam Generator**

Component Group	Page	Edition	applicable from Serial No.
<b>4</b>	<b>4.1</b>	<b>4.1.1</b>	<b>06M 86 03 1003</b>

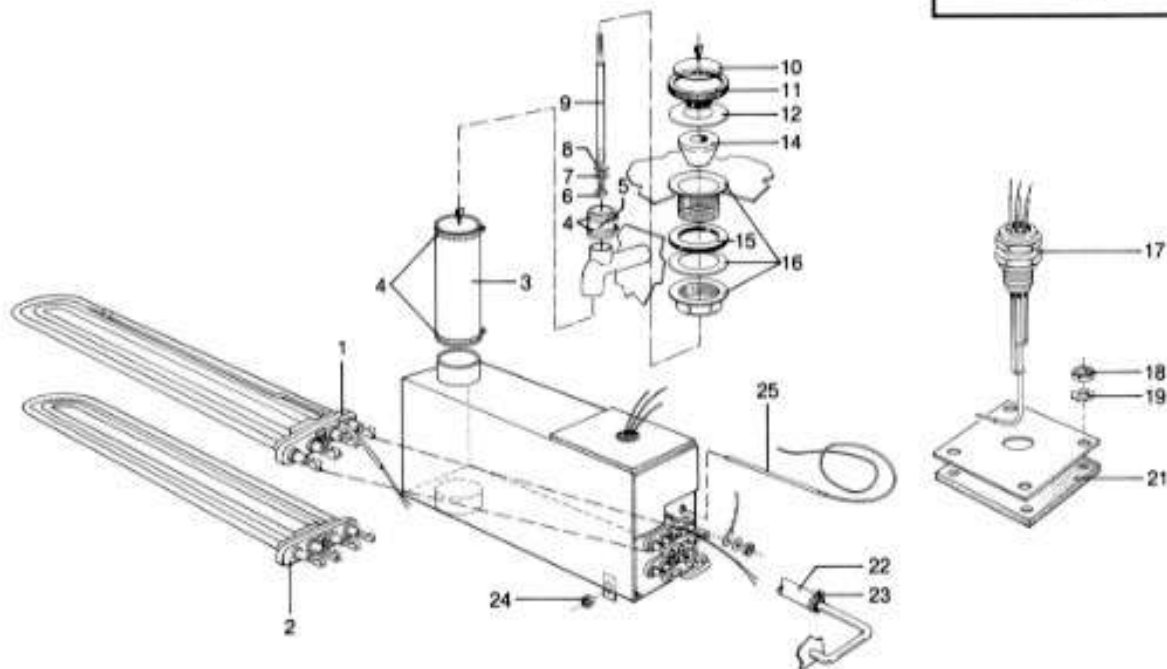


Pos.	Pcs.	Sp.	Part No.	Description	Sign
-	1		8300.0004	steam generator complete	
-	1		8404.4000	safety valve complete (pos. 6 - 16)	
1	1		3004.3505	heating element 2x3 kW	
2	1		3004.3506	heating element 2x1,5 kW	
3	1		2067.0203	steam hose 200 mm long	
4	4		2066.0504	hose clamp 40-60 mm	
5	1		2067.0201	steam hose 50 mm long	
6	1		1005.0660	hex socket head cap screw M 5x12	
7	1		1205.0360	spring washer	
8	1		1305.0260	washer A 5,3	
9	1		2026.0400	guide bar	
10	1		2049.0800	cover plate, aluminium	
11	1		2020.0300	plastic handle for safety valve	
12	1		5012.0526	gasket	
13	1		2026.0300	thread insert	
14	1		2026.0200	cone for safety valve	
15	1		5012.0527	gasket	
16	1		2064.0100	valve body	
17	1		3016.1201	level switch	S5
18	6		1106.0160	hex nut M6	
19	6		1206.0120	toothed lock washer A 6,4	
20	4		1306.0120	washer A 6,4	
21	1		2040.0101	hex nut G 3/8"	
22	1		5012.0528	gasket	
23	1		1306.0221	washer A 6,4	
24	1		3014.0150	sensor steam generator	B3



**Steam Generator**

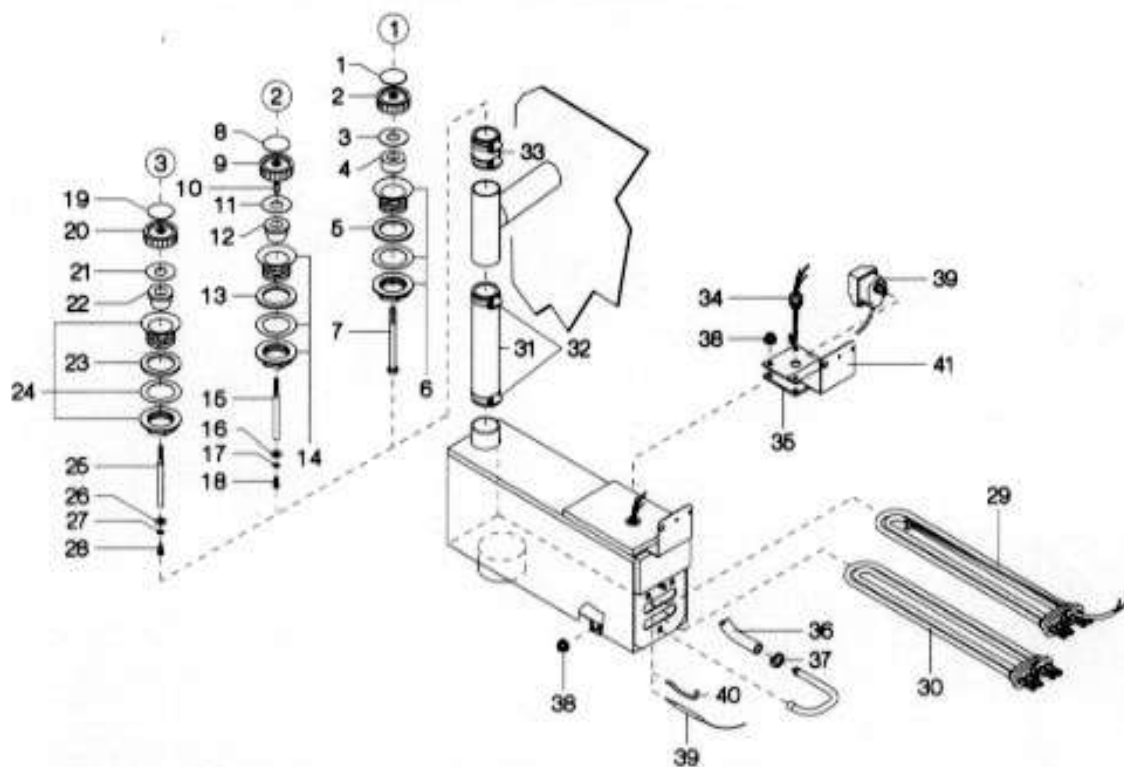
Component Group	Page	Edition	applicable from Serial No.
<b>4</b>	<b>4.1</b>	<b>4.1.2</b>	<b>06M 89 10 4001</b>



Pos.	Pcs.	Sp. Part No.	Description	Sign
-	1	8300.0070	steam generator complete	
-	1	8404.4000	safety valve complete (pos. 6 - 16)	
1	1	3004.3516	heating element 2x3 kW with thermocouple	
2	1	3004.3506	heating element 2x1,5 kW	
3	1	2067.0203	steam hose 200 mm long	
4	4	2066.0504	hose clamp 40-60 mm	
5	1	2067.0201	steam hose 50 mm long	
6	1	1005.0660	hex socket head cap screw M 5x12	
7	1	1205.0360	spring washer	
8	1	1305.0260	washer A 5,3	
9	1	2026.0400	guide bar	
10	1	2049.0800	cover plate, aluminium	
11	1	2020.0300	plastic handle for safety valve	
12	1	5012.0526	gasket	
14	1	2026.0200	cone for safety valve	
15	1	5012.0527	gasket	
16	1	2064.0100	valve body	
17	1	3002.0401	filling-level electrode 70 mm	S4
18	5	1106.0160	hex nut M6	
19	5	1206.0120	toothed lock washer A 6,4	
21	1	5012.0537	gasket	
22	1	2067.0124	pressure hose 1300 mm long	
23	1	2066.0506	hose clamp	
24	1	1106.0801	hex-combi-nut M6	
25	1	3014.0150	sensor steam generator	B3

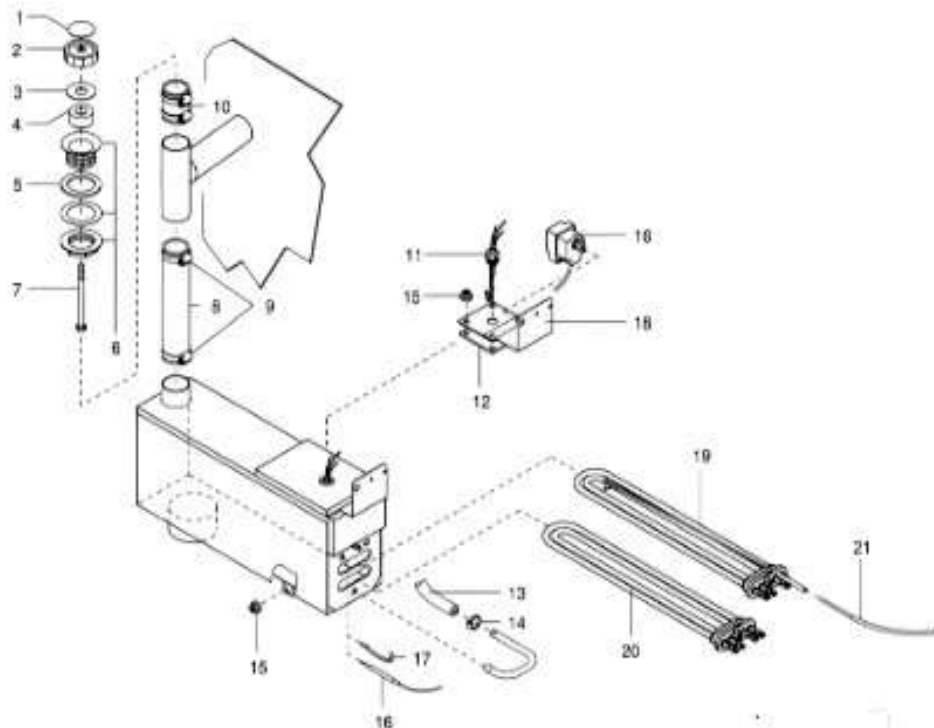
**Steam Generator**

Voltage	Group	Page	Edition	Application from Serial. No.
<b>3 N AC 380V 50Hz</b>	<b>4</b>	<b>4.1</b>	<b>4.1.3</b>	<b>06M91042001</b>



Pos.	Pcs.	Sp.	Part No.	Description	Sign.	Pos.	Pcs.	Sp.	Part No.	Description	Sign.
-	1		8404.4000	safety valve cpl (version 1)		-	1		8300.0086	steam generator cpl.	
<b>version 1</b>						29	1		3004.4307	heating element 2x3kW thermocouple	
1	1		2049.0800	cover plate, aluminium		30	1		3004.4306	heating element 2x1,5kW	
2	1		2020.0301	plastic handle		31	1		2067.0203	steam hose 200mm long	
3	1		5012.0526	gasket		32	4		2066.0504	hose clamp 40-60mm	
4	1		2026.0201	cone		33	1		2067.0201	steam hose 50mm long	
5	1		5012.0527	gasket		34	1		3002.0401	filling-level electrode 70mm	S3
6	1		2064.0100	valve body		35	1		5012.0537	gasket	
7	1		1008.0764	hex screw M8x110		36	1		2067.0162	pressure hose 1370mm long	
<b>version 2</b>						37	1		2062.0205	hose clamp 12-18mm	
8	1		2049.0800	cover plate, aluminium		38	1		1106.0801	hex-combi-nut M6	
9	1		2020.0301	plastic handle		39	1		3014.0300	protector against running dry	F5
10	1		2026.0301	plastic insert		40	1		2544.101230	clamping plate	
11	1		5012.0526	gasket		41	1		2520.311089	holding angle	
12	1		2026.0201	cone							
13	1		5012.0527	gasket							
14	1		2064.0100	valve body							
15	1		2026.0400	guide bar							
16	1		1305.0260	washer A5,3							
17	1		1205.0360	spring washer A5,3							
18	1		1005.0660	hex socked head screw M5x12							
<b>version 3</b>											
19	1		2049.0800	cover plate, aluminium							
20	1		2020.0300	plastic handle							
21	1		5012.0526	gasket							
22	1		2026.0201	cone							
23	1		5012.0527	gasket							
24	1		2064.0100	valve body							
25	1		2026.0400	guide bar							
26	1		1305.0260	washer A5,3							
27	1		1205.0360	spring washer A5,3							
28	1		1005.0660	hex socked head screw M5x12							

<b>Dampfgenerator</b>	Spannung	Baugruppe	Ausgabe	gültig ab Seriennummer
<b>Steam generator</b>	Voltage	Group	Edition	Applicable from Serial.No.
	3 N AC 400V 50Hz	4	4.1.4	06M96011001

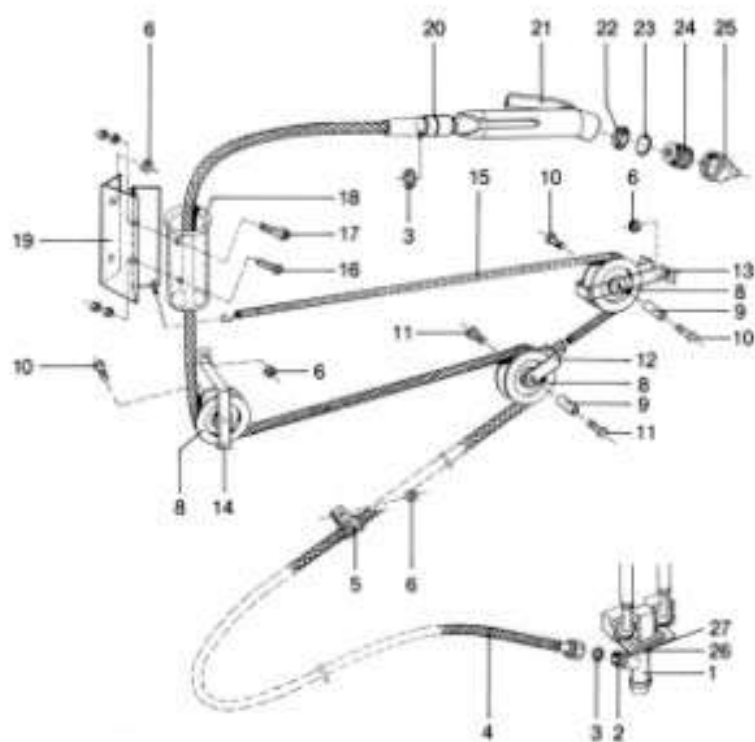


Pos.	St.	Ersatzl.Nr.	Bezeichnung	Description
Pos.	Pcs.	Sp. Part No.		
-	1	8300.0086	SC-Dampfgenerator kpl.	SC-steam generator cpl.
-	1	8404.4000	Sicherheitsventil kpl.	Safety valve complete
1	1	2049.0800	Alu-Deckschild für Sicherheitsventil	Cover plate aluminum for safety valve
2	1	2020.0301	Griffscheibe Sicherheitsventil	Plastic-handle for safety-valve
3	1	5012.0526	Dichtung für Sicherheitsventil	Gasket for safety valve
4	1	2026.0201	Verschlußkegel Sicherheitsventil	Cone for safety valve
5	1	5012.0527	Dichtung für Sicherheitsventilgehäuse	Gasket for safety valve housing
6	1	2064.0100	Einfüllstutzen Typ 6/101	Safety valve housing
7	1	1008.0764	Sechskantschraube M8x110 f.Griffscheibe	Hex screw M8x110 for safety valve
8	1	2067.0203	Dampfschlauch NW42 200mm lang	Steam hose 200mm long
9	4	2066.0504	Schlauchschele 40-60mm	Hose clamp 40-60mm
10	1	2067.0201	Dampfschlauch NW42 60 mm lang	Steam-hose 60mm long
11	1	3002.0401	Füllstandselektrode 70mm	Filling-level electrode 70mm
12	1	5012.0537	Dichtung für Füllstandselektrode	Gasket for filling-level electrode
13	1	2067.0182	Silikonschlauch 1370mm lang	Silicone hose 1370mm long
14	1	2066.0205	Schlauchschele 12-18mm	Hose clamp 12-18mm
15	5	1106.0801	Sechskant-Combi-Mutter M6	Hex combination nut M6
16	1	3014.0300	Trockengehschutz 125°C	Dry up protector 125°C
17	1	2544.101230	Klemmblech Dampfgenerator	Clamping plate thermostat steam generator
18	1	2520.311089	Halterung für Trockengehschutz	Holder for dry up protector
19	1	3004.4155	Tauchheizkörper 2x3kW 230V mit Fühlerrohr	Heating element 2x3kW 230V with sensor pipe
20	1	3004.4306	Tauchheizkörper 2x1,5kW 230V	Heating element 2x1,5KW 230V
21	1	3014.0165	Thermoelement Dampfgenerator	Thermo element steam generator



**Bottom (Hand Shower)**

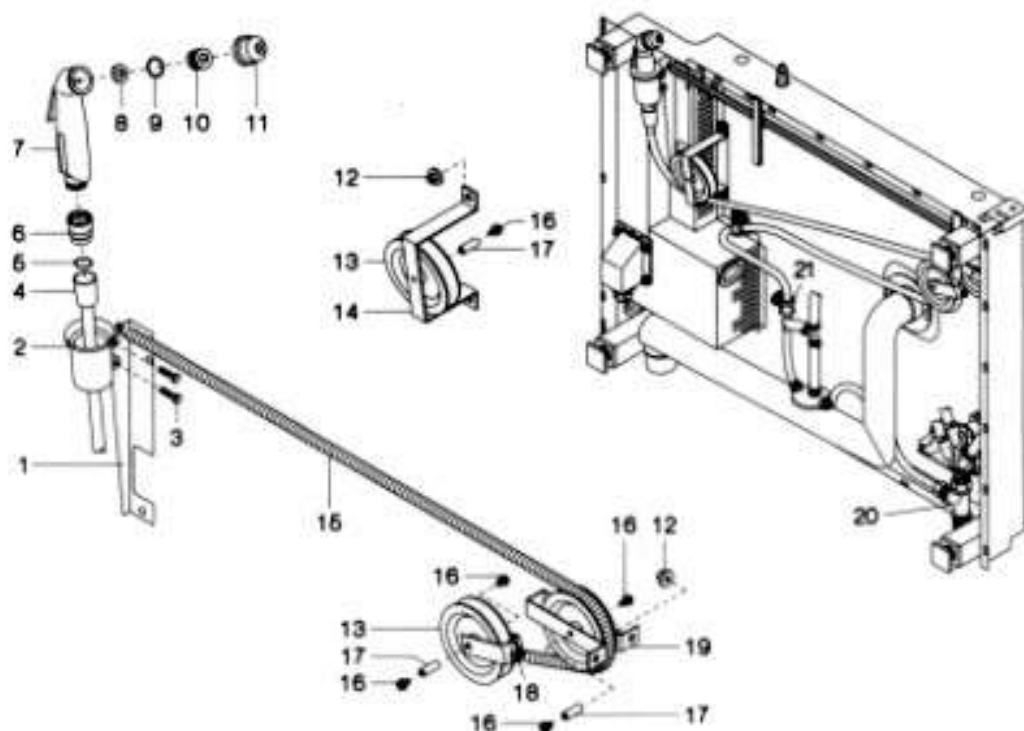
Component Group	Page	Edition	applicable from Serial No.
<b>10</b>	<b>10.2</b>	<b>10.2.1</b>	<b>06M 89 04 1287</b>



Pos.	Pcs.	Sp. Part No.	Description	Sign	Pos.	Pcs.	Sp. Part No.	Description	Sign
1	1	2036.0501	T-fitting 1/2"		-	1	8630.0105	holder 2 complete (pos. 8, 10, 14)	
2	1	2082.0103	reducing nipple						
3	2	5012.0536	gasket						
4	1	2087.0600	shower hose with gasket						
5	1	2086.0510	hose clip						
6	7	1106.0801	hex combi nut						
8	3	2080.0112	hose reel						
9	2	2060.0115	axle						
10	3	1005.2000	ratchet safety screw M 5x8						
11	5	1005.0126	countersunk head screw M 5x6						
12	1	8060.0103	bow, welded						
13	1	2510.640687	holder 3						
14	1	8630.0101	holder 2, welded						
15	1	2002.0400	tension spring						
16	1	1004.0430	hex screw M 4x16						
17	1	1004.0664	hex socket head cap screw M 4x16						
18	1	2060.0111	tulip					from 06M89092336: 2060.0116	
19	1	2510.590742	holder 1					from 06M89092336: 2510.590845	
20	1	2060.0110	revolving joint						
21	1	2060.0100	hand shower with guide complete						
22	1	2060.0218	gasket for hand shower						
23	1	2060.0217	O-ring gasket						
24	1	2060.0216	head screw						
25	1	2060.0215	mouthpiece						
26	1	2036.0101	reducing nipple 1/2"x 1/4"						
27	1	5012.0529	gasket						
-	1	8630.0108	bow complete						
-	1	8630.0106	holder 3 complete (pos. 8, 9, 10, 13)						

**Bottom (Hand Shower)**

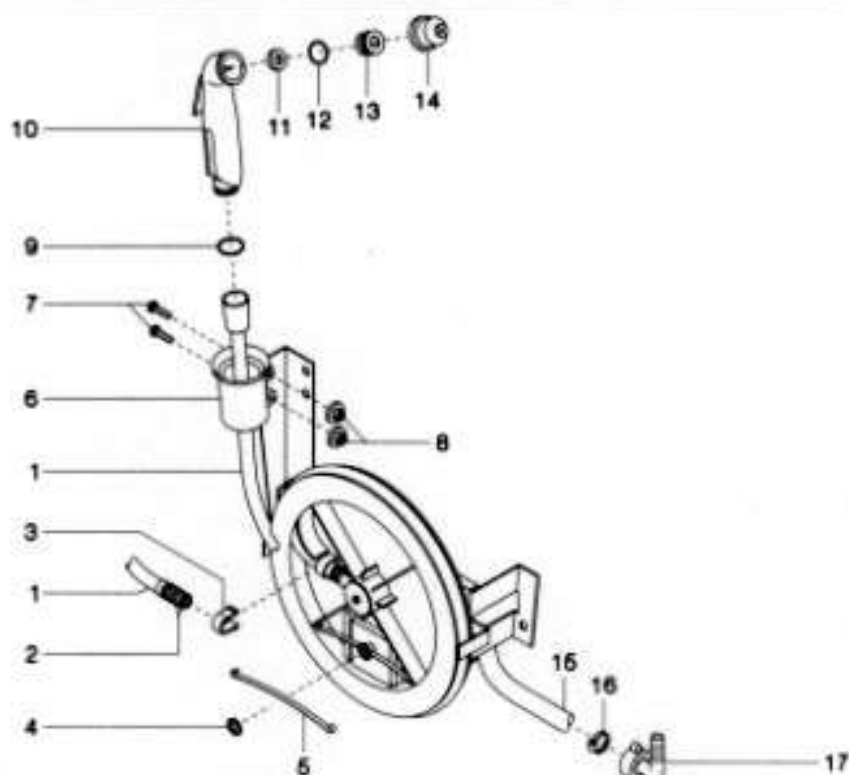
Voltage	Group	Page	Edition	Application from Serial. No.
<b>3 N AC 380V 50Hz</b>	<b>10</b>	<b>10.2</b>	<b>10.2.2</b>	<b>06M92051620</b>



Pos.	Pcs.	Sp.	Part No.	Description	Sign.
-	1		8630.0120	holder 2 cpl. (pos. 13,14,16,17)	
-	1		8630.0105	holder 3 cpl. (pos. 13,16,17,19)	
-	1		8630.0108	bow cpl. (pos. 13,16,17,18)	
1	1		2510.591415	holder for tulip	
2	1		2060.0121	tulip	
3	2		1008.0751	hexagon cap-screw M5x25	
4	1		2067.0600	shower hose	
5	2		5012.0536	gasket for shower hose	
6	1		2060.0110	revolving joint	
7	1		2060.0100	hand shower cpl. (incl. pos. 8,9,10,11)	
8	1		2060.0218	gasket	
9	1		2060.0217	O-ring	
10	1		2060.0216	head screw	
11	1		2060.0215	mouthpiece	
12	9		1106.0801	hex-combi-nut M6	
13	3		2060.0112	hose reel	
14	1		8630.0121	holder 2 welded	
15	1		2002.0400	tension spring	
16	5		1005.2000	safety screw M5x8	
17	2		2060.0115	axle	
18	1		8630.0103	bow, welded	
19	1		2510.640687	holder 3	
20	1		8630.0109	T-connection piece cpl.	
21	2		2066.0510	hose clamp	

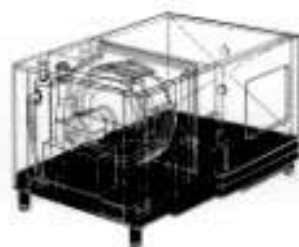
**Bottom (Hand Shower)**

Voltage	Group	Page	Edition	Application from Serial. No.
<b>3 N AC 380V 50Hz</b>	<b>10</b>	<b>10.2</b>	<b>10.2.3</b>	<b>06M93011001</b>



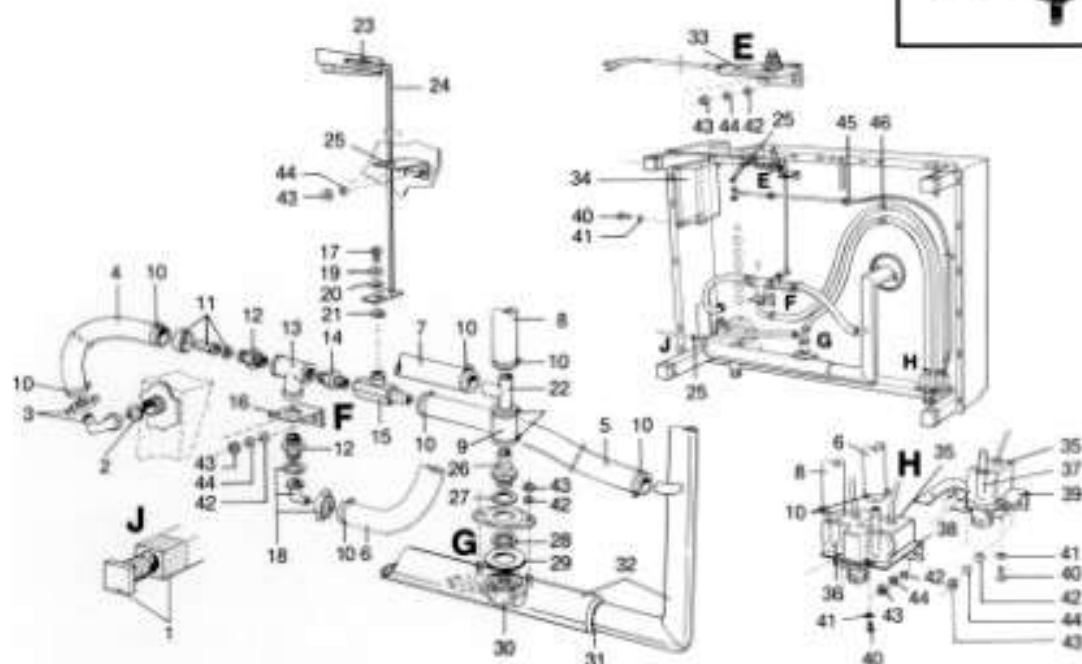
Pos.	Pcs.	Sp. Part No.	Description	Sign.
-	1	8410.1013	hand shower roll guide kpl.	
1	1	2067.0605	shower hose	
2	2	2060.0228	gasket for shower hose	
3	1	2060.0152	climp for shower hose	
4	1	2001.0203	lock washer	
5	1	2001.0202	fastening spring	
6	1	2060.0121	tulip	
7	2	1008.0751	hex screw M5x25	
8	2	1105.0122	hex-combi-nut M5	
9	1	5012.0536	gasket for shower hose	
10	1	2060.0100	hand shower cpl. (incl. pos. 11,12,13,14)	
11	1	2060.0218	gasket	
12	1	2060.0217	O-ring	
13	1	2060.0216	head screw	
14	1	2060.0215	mouthpiece	
15	1	2067.0060	pressure hose 900mm long	
16	2	2066.0205	hose clamp 12-18mm	
17	1	2062.0203	threaded pipe angle G3/4"	





**Bottom (Lower elevation)**

Component Group	Page	Edition	applicable from Serial No.
<b>10</b>	<b>10.1</b>	<b>10.1.1</b>	<b>06M 86 03 1003</b>



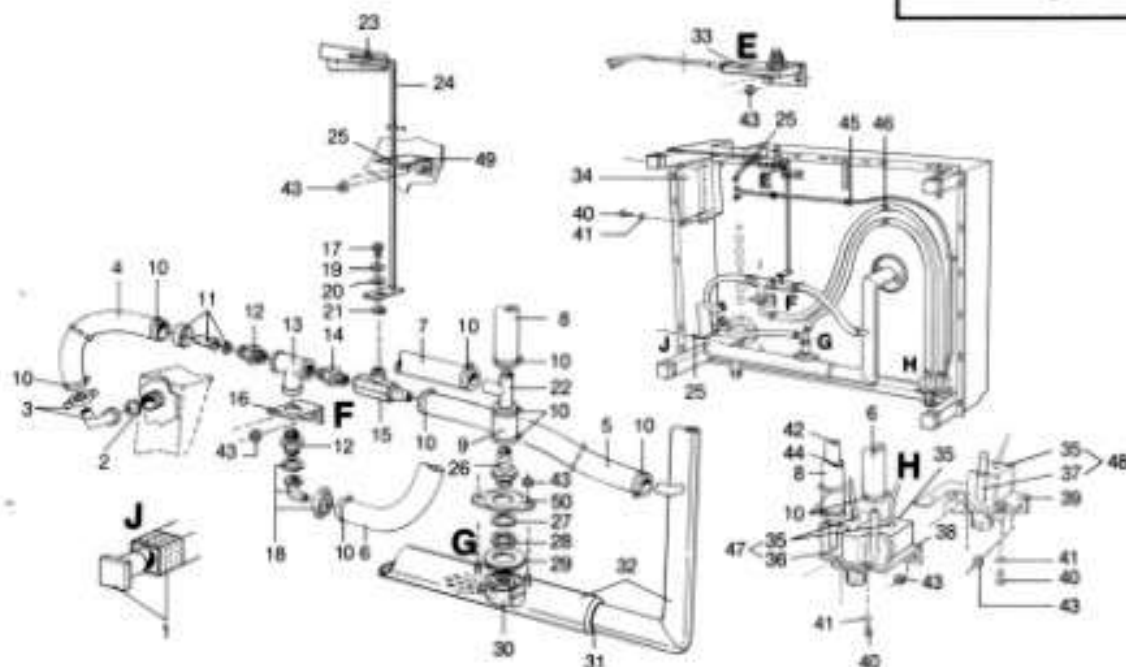
Pos.	Pcs.	Sp. Part No.	Description	Sign	Pos.	Pcs.	Sp. Part No.	Description	Sign
1	4	2039.0100	foot adjustable		32	1	2070.0012	drain system complete	
2	1	5012.0529	sealing ring for elbow fitting		33	1	3016.1400	door contact switch	
3	1	2062.0200	elbow fitting G 3/4"		34	1	3038.0100	terminal box	
4	1	2067.0301	pressure hose 150 mm long		35	2	3002.0324	coil for solenoid valve	
5	1	2067.0302	pressure hose 290 mm long		36	1	3002.0314	body for double solenoid valve	
6	1	2067.0105	pressure hose 1000 mm long		37	2	3002.0301	body for 2 single solenoid valves (option)	
7	1	2067.0102	pressure hose 430 mm long		38	1	2580.720384	holder for double solenoid valve	
8	1	2067.0104	pressure hose 760 mm long		39	1	2580.910401	holder for 2 single solenoid valves (option)	
9	1	2067.0101	pressure hose 90 mm long		40	4	1004.0660	hex socket head cap screw M 4 x 10	
10	6	2066.0202	hose clamp 12 - 22 mm		41	4	1204.0120	toothed lock washer A 4,3	
11	1	2062.0202	fitting/hose nipple G 3/4"		42	8	1306.0221	washer A 6,4	
12	2	1500.1579	nipple G 1/2" x G 3/4"		43	8	1106.0160	hex nut M6	
13	1	2036.0501	T-fitting 1/2"		44	8	1206.0120	toothed lock washer A 6,4	
14	1	2062.0103	double nipple 1/2"		45	3	4006.0201	cable clamp	
15	1	2062.0100	ball valve		46	2	4006.0203	cable clamp	
16	1	2580.730385	holder for T-fitting						
17	1	1006.0300	slotted raised countersunk head screw						
18	1	2062.0203	elbow fitting 3/4"						
19	1	1205.0120	toothed lock washer A 5,3						
20	1	1305.0260	washer A 5,3						
21	1	1308.0560	washer						
22	1	2062.0302	T-fitting						
23	1	4006.0202	cable clamp						
24	1	8410.0100	lever for ball valve						
25	4	2022.0101	grommet						
26	1	2062.0102	hose fitting G 3/4"						
27	1	5012.0532	gasket						
28	1	2040.0101	hex nut G 3/8"						
29	1	2070.0020	gasket						
30	1	2016.0910	quench nozzle						
31	1	2070.0013	gasket element						





**Bottom (Lower elevation)**

Component Group	Page	Edition	applicable from Serial No.
<b>10</b>	<b>10.1</b>	<b>10.1.2</b>	<b>06M 89 04 1287</b>

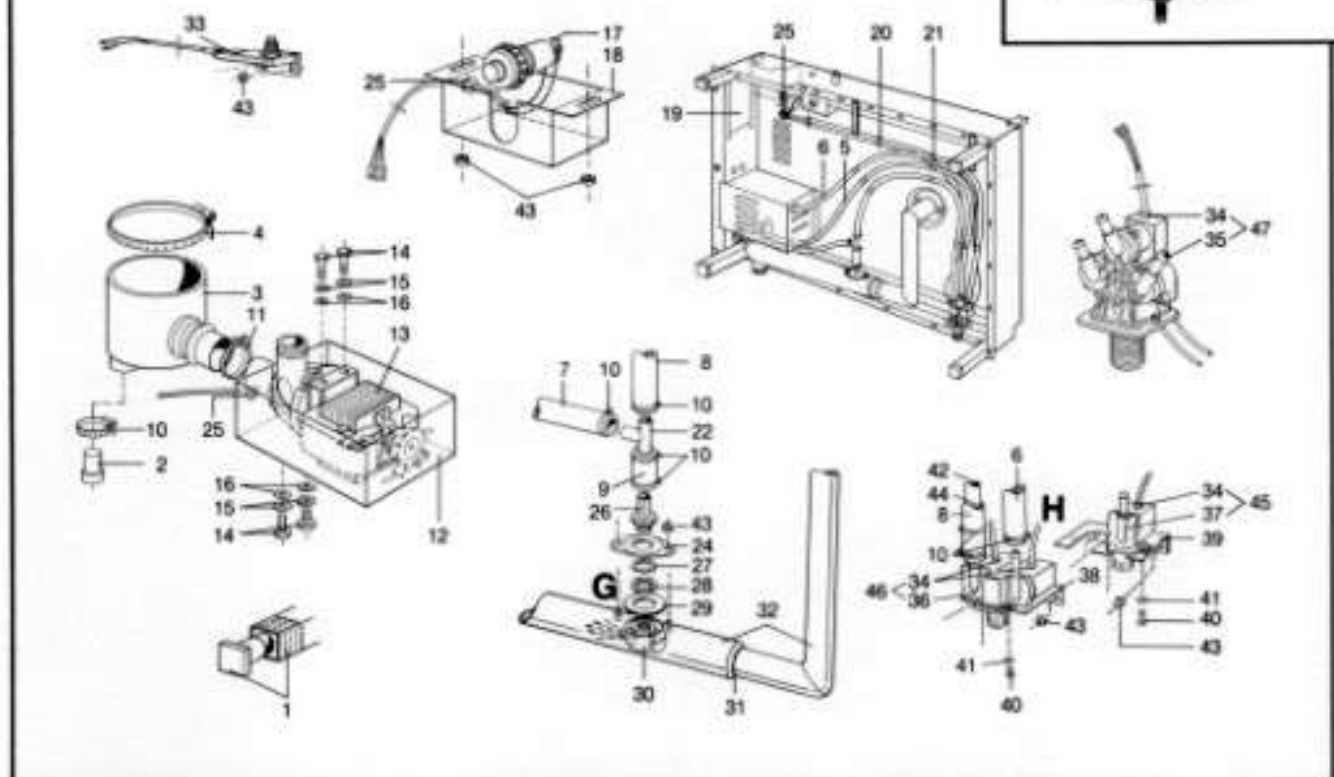


Pos.	Pcs.	Sp. Part No.	Description	Sign	Pos.	Pcs.	Sp. Part No.	Description	Sign
1	4	2039.0100	foot adjustable		27	1	5012.0532	gasket	
2	1	5012.0529	sealing ring for elbow fitting		28	1	2580.600594	washer	
3	1	2062.0200	elbow fitting G 3/4"		29	1	2070.0020	gasket	
4	1	2067.0301	pressure hose 150 mm long		30	1	2016.0910	quench nozzle	
5	1	2067.0302	pressure hose 290 mm long		31	1	2070.0013	gasket element	
6	1	2067.0105	pressure hose 1000 mm long		32	1	2070.0012	drain system complete	
7	1	2067.0102	pressure hose 430 mm long		33	1	3016.1400	door contact switch	
8	1	2067.0104	pressure hose 760 mm long		34	1	3038.0100	terminal box	
9	1	2067.0101	pressure hose 90 mm long		35	2	3002.0324	coil for solenoid valve	
10	7	2066.0202	hose clamp 12 - 22 mm		36	1	3002.0314	body for double solenoid valve	
11	1	2062.0202	fitting G 3/4"		37	2	3002.0301	body for 2 single solenoid valves (option)	
12	2	1500.1579	nipple G 1/2" x G 3/4"		38	1	2580.720384	holder for double solenoid valve	
13	1	2036.0501	T-fitting 1/2"		39	1	2580.910401	holder for 2 single solenoid valves (option)	
14	1	2062.0103	double nipple 1/2"		40	4	1004.0660	hex socket head cap screw M 4x10	
15	1	2062.0100	ball valve		41	4	1204.0120	toothed lock washer A 4,3	
16	1	2580.730385	holder for T-fitting		42	1	1900.0100	flow regulator blue	
17	1	1006.0300	slotted raised countersunk head screw		43	10	1106.0160	hex nut M6	
18	1	2062.0203	elbow fitting 3/4"		44	1	2016.0867	socket for flow regulator	
19	1	1205.0120	toothed lock washer A 5,3		45	3	4006.0201	cable clamp	
20	1	1305.0260	washer A 5,3		46	2	4006.0203	cable clamp	
21	1	1308.0560	washer		47	1	3002.0304	double solenoid valve complete	
22	1	2062.0302	T-fitting		48	2	3002.0305	2 single solenoid valves complete	
23	1	4006.0202	cable clamp		49	1	2580.740386	holding strap for lever for ball valve	
24	1	8410.0100	lever for ball valve		50	1	2070.0021	cover for quench nozzle	
25	4	2022.0101	grommet		-	1	8612.0101	quench nozzle complete (pos. 26, 27, 50, 28, 29, 30)	
26	1	2062.0102	hose fitting G 3/4"						



**Bottom (Lower elevation)**

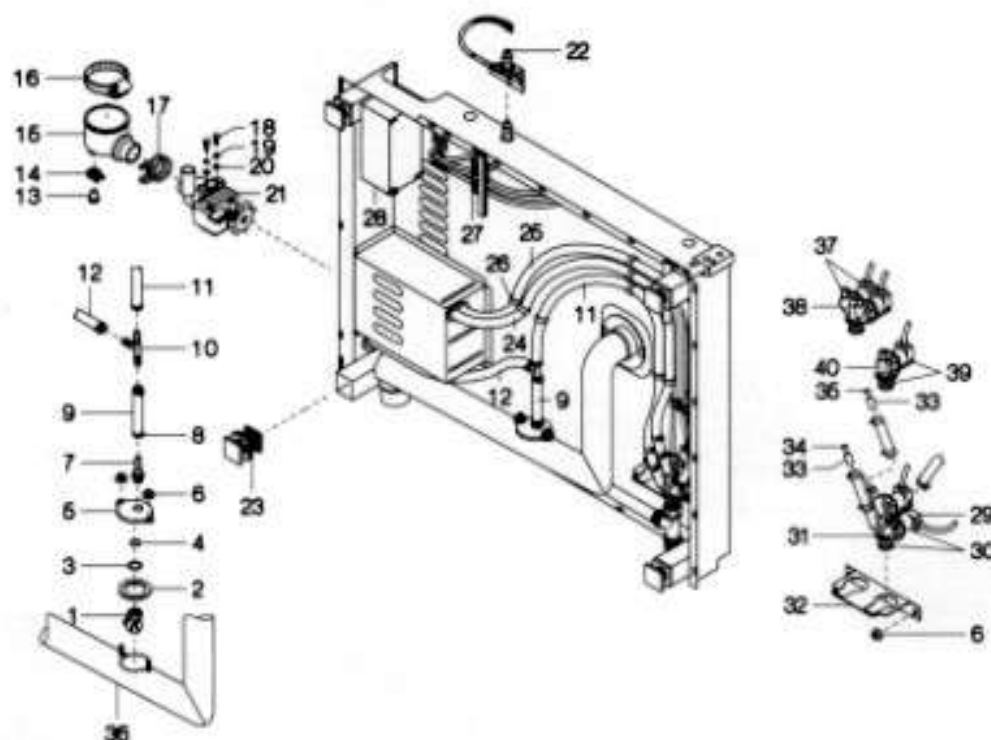
Component Group	Page	Edition	applicable from Serial No.
<b>10</b>	<b>10.1</b>	<b>10.1.3</b>	<b>06M 8910 4001</b>



Pos.	Pcs.	Sp. Part No.	Description	Sign	Pos.	Pcs.	Sp. Part No.	Description	Sign
1	4	2039.0100	foot adjustable		27	1	5012.0532	gasket	
2	1	2016.0873	plug for pump connection		28	1	2580.600594	washer	
3	1	2022.0110	pump connection		29	1	2070.0020	gasket	
4	1	2066.0505	hose clamp 70 - 90 mm		30	1	2016.0910	quench nozzle	
5	1	2067.0122	pressure hose 1900 mm long		31	1	2070.0013	gasket element	
6	1	2067.0124	pressure hose 1300 mm long		32	1	2070.0025	drain system complete	
7	1	2067.0125	pressure hose 900 mm long		33	1	3016.1400	door contact switch	
8	1	2067.0119	pressure hose 630 mm long		34	3	3002.0324	coil for solenoid valve	
9	1	2067.0126	pressure hose 100 mm long		35	1	3002.0315	body for triple solenoid valve	
10	8	2066.0202	hose clamp 12 - 22 mm		36	1	3002.0314	body for double solenoid valve (option)	
11	1	2066.0506	hose clamp		37	1	3002.0301	body for single solenoid valves (option)	
12	1	2510.690995	cover for discharging pump		38	1	2580.720384	holder for triple solenoid valve	
13	1	3002.1000	discharging pump		39	1	2580.910401	holder for 1 single solenoid valve and 1 double solenoid valve (option)	
14	4	1006.1960	socket countersunk head screw M 6x16		40	5	1004.0660	hex socket head cap screw M 4x10	
15	4	1206.0120	toothed lock washer A 6,4		41	5	1204.0120	toothed lock washer A 4,3	
16	4	1306.0120	washer A 6,4		42	1	1900.0100	flow regulator blue	
17	1	3016.1352	pushbutton		43	8	1106.0160	hex nut M6	
18	1	2581.020843	holder for pushbutton		44	1	2016.0867	socket for flow regulator	
19	1	3028.0200	terminal box		45	1	3002.0305	single solenoid valves complete	
20	9	4006.0201	cable clamp		46	1	3002.0304	double solenoid valve complete	
21	9	4006.0203	cable clamp		47	1	3002.0311	triple solenoid valve complete	
22	1	2062.0302	T-fitting		-	1	8612.0101	quench nozzle complete (pos. 26, 27, 50, 28, 29, 30)	
24	1	2070.0021	cover for quench nozzle						
25	2	2022.0101	grommet						
26	1	2062.0102	hose fitting G 3/8"						

**Bottom (Lower elevation)**

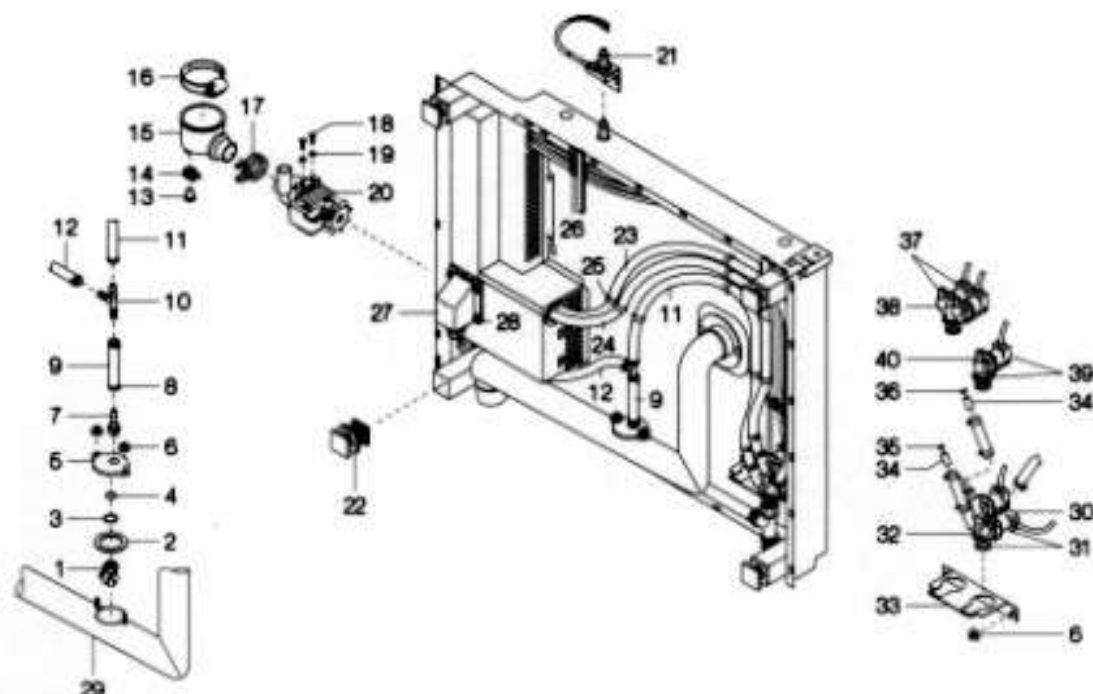
Voltage	Group	Page	Edition	Application from Serial. No.
<b>3 N AC 380V 50Hz</b>	<b>10</b>	<b>10.1</b>	<b>10.1.4</b>	<b>06M91042001</b>



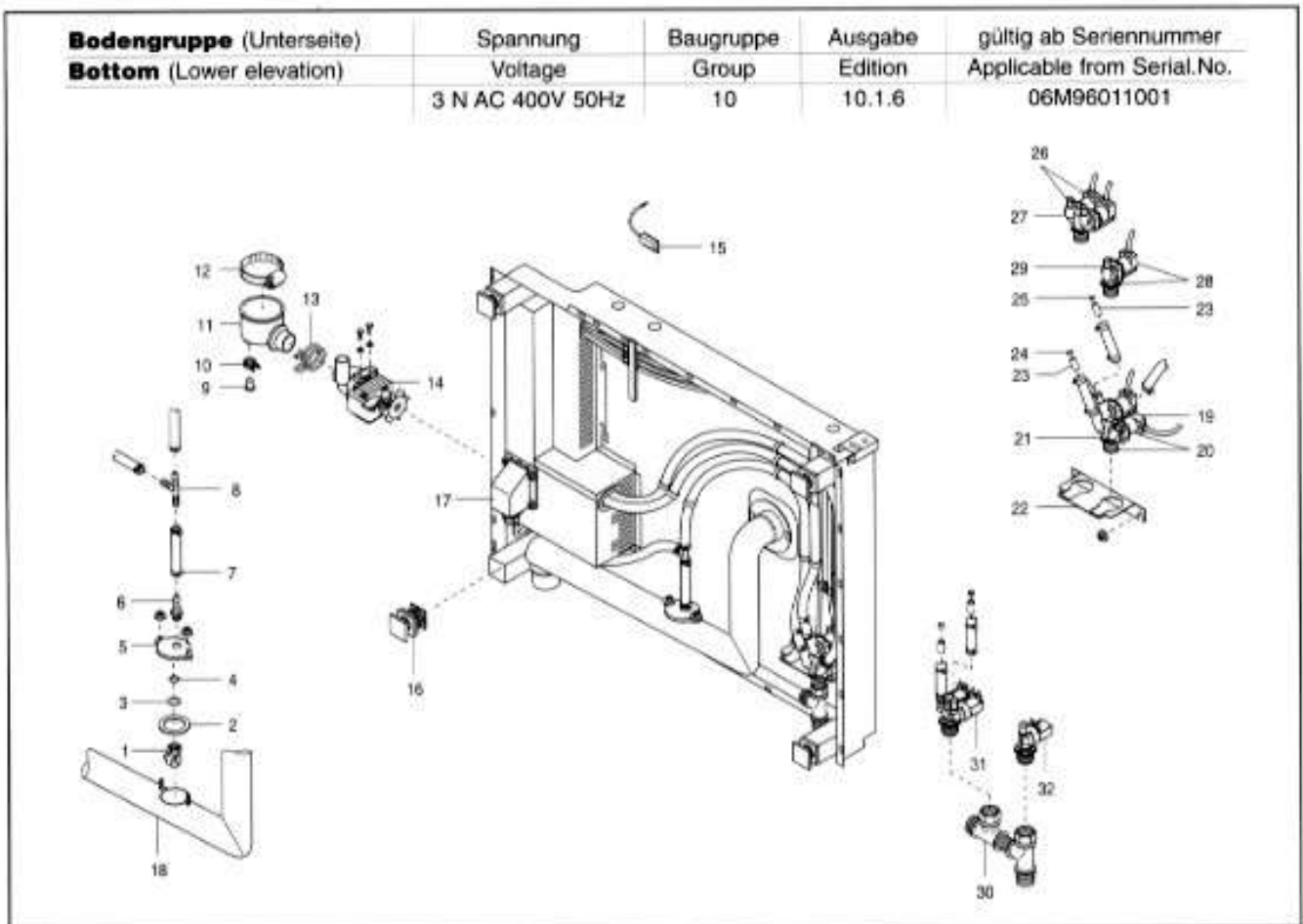
Pos.Pcs.	Sp. Part No.	Description	Sign.	Pos.Pcs.	Sp. Part No.	Description	Sign.
-	1	8612.0101		30	1	3002.0328	
		quenching nozzle cpl. (pos. 1,2,3,4,5,7)		31	1	3002.0315	
1	1	2016.0910		32	1	2580.721120	
2	1	2070.0020		33	2	2016.0867	
3	1	2580.600594		34	1	1900.0100	
4	1	5012.0532				flow regulator blue for quenching	
5	1	2070.0021		35	1	1900.0101	
6	6	1106.0801				flow regulator green for steam generator filling	
7	1	2062.0102		36	1	2070.0036	
8	11	2066.0205		37	1	3002.0327	
9	1	2067.0126				double solenoid valve cpl. (option)	
10	1	2062.0302		38	1	3002.0314	
11	1	2067.0103				body for double solenoid valve (option)	
12	1	2067.0158		39	1	3002.0305	
13	1	2016.0873				single solenoid valve cpl. (option)	
14	1	2066.0517		40	1	3002.0301	
15	1	2022.0110				body for single solenoid valve (option)	
16	1	2066.0516					
17	1	2066.0519					
18	2	1006.1960					
19	2	1206.0120					
20	2	1306.0120					
21	1	3002.1000	M2				
22	1	3016.1400	S2				
23	4	2039.0100					
24	1	2067.0115					
		pressure hose 1220mm long					
25	1	2067.0120					
		pressure hose 1420mm long					
26	12	4006.0203					
27	9	4006.0201					
28	1	3038.0100					
29	3	3002.0329					
		terminal box coil					

**Bottom (Lower elevation)**

Voltage	Group	Page	Edition	Application from Serial. No.
<b>3 N AC 380V 50Hz</b>	<b>10</b>	<b>10.1</b>	<b>10.1.5</b>	<b>06M92051620</b>



Pos.Pcs.	Sp. Part No.	Description	Sign.	Pos.Pcs.	Sp. Part No.	Description	Sign.
-	1	8612.0101		30	3	3002.0329	
		quenching nozzle cpl.		31	1	3002.0328	
		(pos. 1,2,3,4,5,7)		32	1	3002.0315	
1	1	2016.0910		33	1	2580.721120	
2	1	2070.0020		34	2	2016.0867	
3	1	2580.600594		35	1	1900.0100	
4	1	5012.0532					
5	1	2070.0021		36	1	1900.0101	
6	6	1106.0801					
7	1	2062.0102		37	1	3002.0327	
8	9	2066.0205					
9	1	2067.0126		38	1	3002.0314	
10	1	2062.0302					
11	1	2067.0103		39	1	3002.0305	
12	1	2067.0158					
13	1	2016.0873		40	1	3002.0301	
14	1	2066.0517					
15	1	2022.0110					
16	1	2066.0516					
17	1	2066.0519					
18	2	1006.1960					
19	2	1306.0120					
20	1	3002.1000					
21	1	3016.1400	M2				
22	4	2039.0100	S2				
23	1	2067.0120					
24	1	2067.0115					
25	12	4006.0203					
26	9	4006.0201					
27	1	8801.0205					
28	4	1105.0122					
29	1	2070.0036					



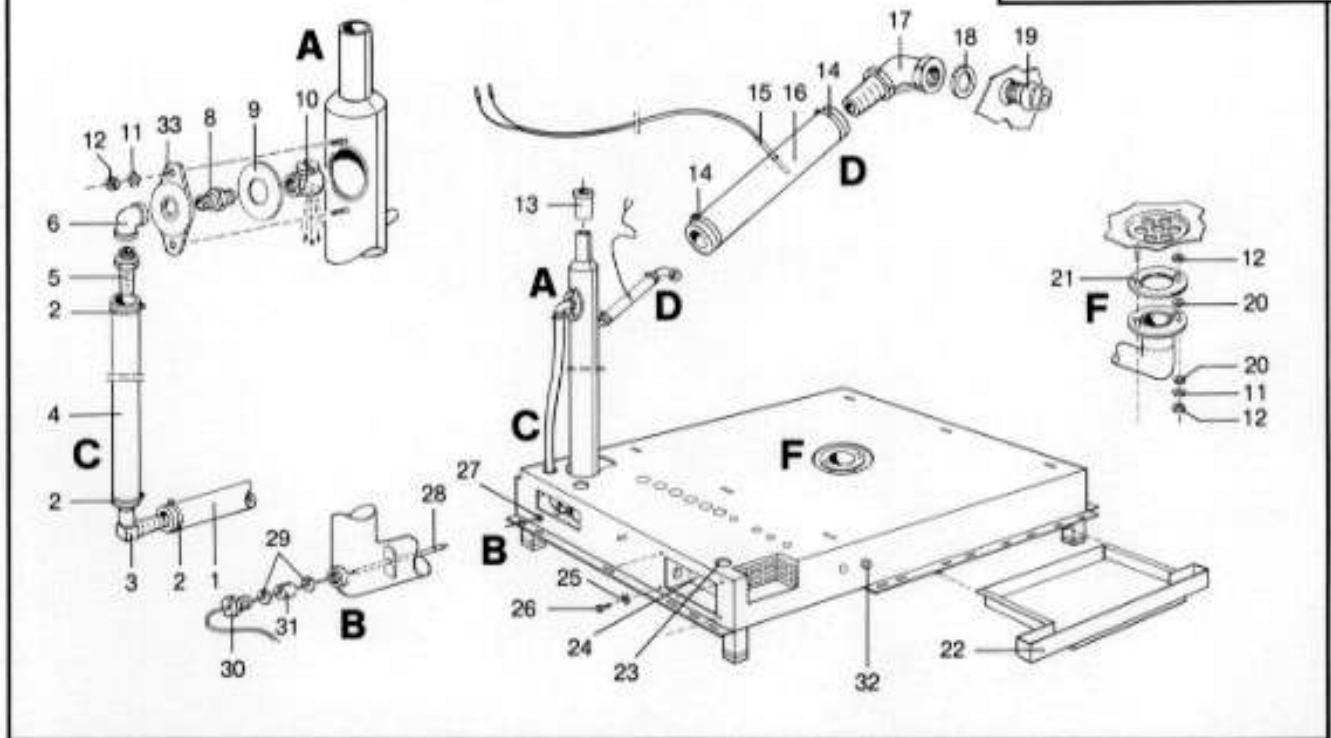
Pos.	St.	Ersatz.Nr.	Bezeichnung	Description
Pos.	Pcs.	Sp. Part No.		
-	-	2067.0050	Druckschlauch NW10 1 lfm.	Pressure hose NW10 per meter
-	1	8612.0101	Ablöschdüse kpl. unten	Quench nozzle cpl. down
1	1	2016.0910	Ablöschdüse	Quenching nozzle
2	1	2070.0020	Dichtung für Ablöschung	Gasket for quenching
3	1	2580.800594	Scheibe für Ablöschdüse	washer for quench.nozzle
4	1	5012.0532	O-Ring Ablöschung	O-ring quenching nozzle
5	1	2070.0021	Deckel für Ablöschung	Holding cover for quenching nozzle
6	1	2062.0102	Schlauchtülle G3/8"	Hose fitting G 3/8"
7	9	2066.0205	Schlauchselle 12-18 mm	Hose clamp 12-18 mm
8	1	2062.0302	T-Stück TS 10	T-fitting TS10
9	1	2016.0873	Stopfen für Pumpenanschluß	Plug for pump connection
10	1	2066.0517	Schlauchklemme 18,2mm	Hose clamp 18,2mm
11	1	2022.0110	Pumpenanschluss ab 04/91	Pump connection from 04/91
12	1	2066.0516	Schlauchselle 60-80mm	Hose clamp 60x80 mm
13	1	2066.0519	Schlauchklemme d 35,6 mm	Hose clamp 35,6mm
14	1	3002.1000	Entleerungspumpe 200-240 V, 50/60 Hz	Emptying pump 200-240V 50/60 Hz
15	1	3016.1415	Türkontaktschalter	Door contact switch
16	4	2039.0100	Kunststoff-Einsteckfuß	Foot adjustable plastic
17	1	8801.0205	Anschlußkasten kpl.	Terminal box cpl.
18	1	2070.0036	Abflußsystem 1-teilig	Drain system model 6
19	-	3002.0329	Magnetventilspule 220-240V 50/60Hz	Coil for solenoid valve 220-240V 50/60Hz
20	1	3002.0328	Dreifachmagnetventil kpl.	Triple solenoid valve cpl.
21	1	3002.0315	Gehäuse für Dreifachmagnetventil	body for triple solenoid valve
22	1	2580.721120	Haltewinkel für Zweifachmagnetventil	Bracket for double solenoid valve
23	2	2016.0867	Aufnahme für Durchflußmengenregler	Socket for flow controller
24	1	1900.0100	Durchflußmengenregler blau, Typ 6	Flow controller blue
25	1	1900.0101	Durchflußmengenregler grün, Typ 101	Flow controller green
26	-	3002.0327	Doppelmagnetventil kpl. (Option)	Double solenoid valve cpl. (option)
27	-	3002.0314	Gehäuse für Doppelmagnetventil (Option)	body for double solenoid valve (option)
28	-	3002.0305	Einfachmagnetventil kpl. (Option)	Single solenoid valve cpl. (option)
29	-	3002.0301	Gehäuse für Einfachmagnetventil (Option)	Body for single solenoid valve (option)
			<b>ab Seriennummer 06M9603XXXX</b>	<b>from serial. no. 06M9603XXXX</b>
30	1	8621.0100	Fittingsatz Wasseranschluß	Fitting set water connection
31	1	3002.0330	Doppelmagnetventil kpl.	Double solenoid valve cpl.
32	1	3002.0331	Einfachmagnetventil kpl.	Single solenoid valve cpl.





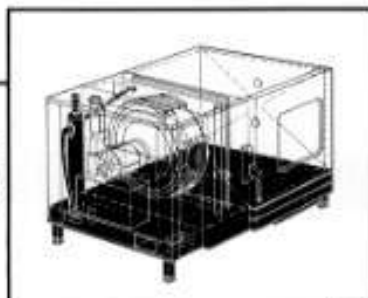
**Bottom (Top elevation)**

Component Group	Page	Edition	applicable from Serial No.
<b>9</b>	<b>9.1</b>	<b>9.1.2</b>	<b>06M 89 04 1287</b>



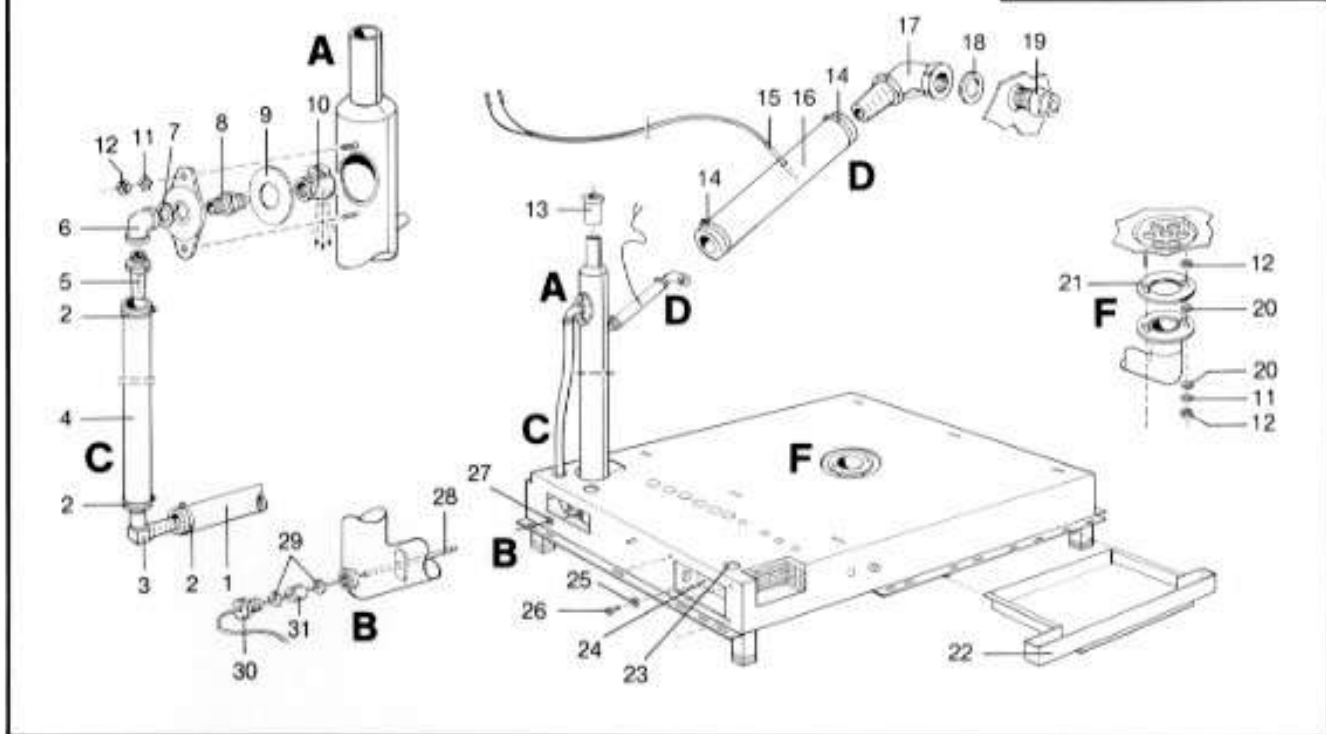
Pos.	Pcs.	Sp. Part No.	Description	Sign	Pos.	Pcs.	Sp. Part No.	Description	Sign
1	1	2067.0102	pressure hose 430 mm long		29	2	3014.0304	washer	
2	2	2066.0202	hose clamp 12 - 22 mm		30	1	3014.0305	stuffing box nipple	
3	1	2062.0301	plastic elbow fitting		31	1	3014.0303	stuffing box packing	
4	1	2067.0106	pressure hose 380 mm long		32	1	3016.1400	door switch	S3
5	1	2062.0102	hose fitting G 3/8"		33	1	2070.0021	cover for quench nozzle	
6	1	2064.0300	elbow fitting G 3/8", 90 degrees		-	1	8612.0104	quench nozzle complete (pos. 5, 6, 33, 8, 9, 10)	
8	1	2064.0200	double nipple G 3/8"						
9	1	2070.0020	gasket						
10	1	2016.0910	quench nozzle						
11	4	1206.0120	toothed lock washer A 6,4						
12	6	1106.0160	hex nut M6						
13	1	4016.0601	air inlet grommet						
14	2	2066.0506	hose clamp 20 - 32 mm						
15	1	3014.0150	sensor for steam controller B2						
16	1	2067.1605	silicone hose 285 mm long						
17	1	8450.0101	elbow fitting G 1/2", 90 degrees						
18	1	1315.0100	copper washer						
19	1	2016.0857	bushing G 1/2"						
20	4	1306.0221	washer A 6,4						
21	1	5012.0525	gasket						
22	1	8100.0115	drip collector						
23	1	4016.0400	grommet						
24	1	3038.0100	terminal box						
25	4	1204.0120	toothed lock washer A 4,3						
26	4	1004.0660	hex socket head cap screw M 4 x 10						
27	1	2022.0101	grommet						
28	1	3014.0312	thermostat quenching system	P1					



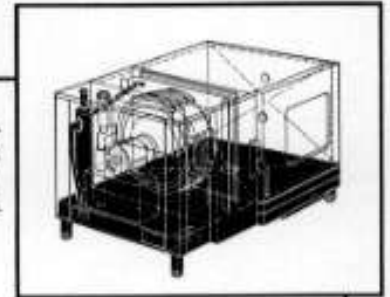


**Bottom (Top elevation)**

Component Group	Page	Edition	applicable from Serial No.
<b>9</b>	<b>9.1</b>	<b>9.1.1</b>	<b>06M 86 03 1003</b>

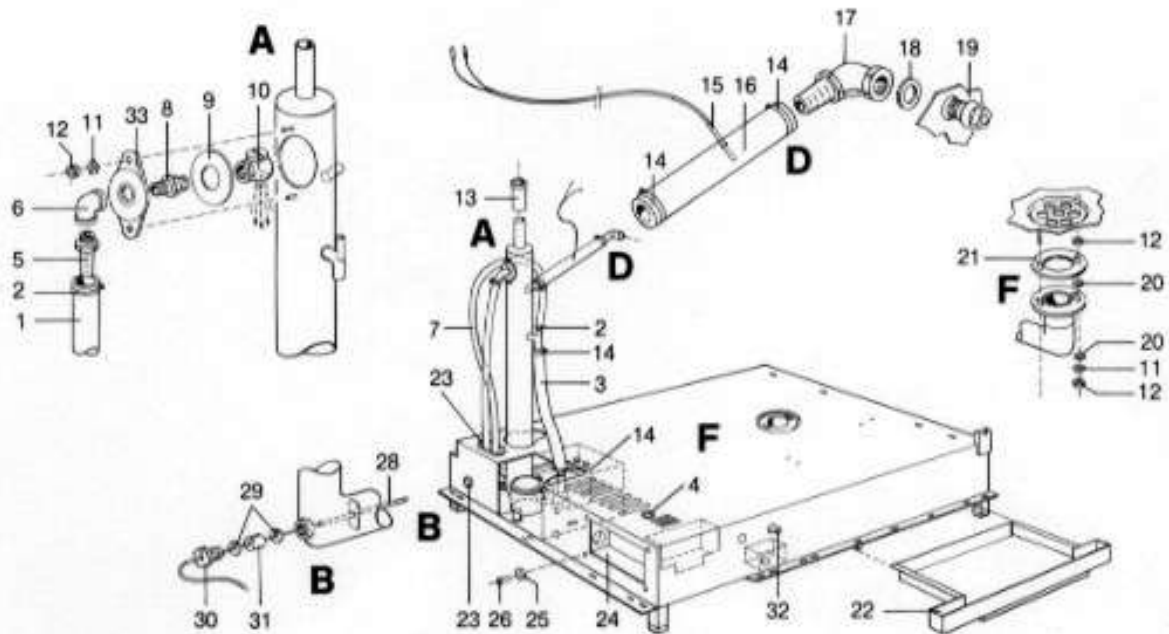


Pos.	Pcs.	Sp. Part No.	Description	Sign	Pos.	Pcs.	Sp. Part No.	Description	Sign
1	1	2067.0102	pressure hose 430mm long		29	2	3014.0304	washer	
2	2	2066.0202	hose clamp 12 - 22 mm		30	1	3014.0305	stuffing box nipple	
3	1	2062.0301	plastic elbow fitting		31	1	3014.0303	stuffing box packing	
4	1	2067.0106	pressure hose 380mm long						
5	1	2062.0102	hose fitting G 3/8"						
6	1	2064.0300	elbow fitting G 3/8", 90°						
7	1	5012.0532	gasket						
8	1	2064.0200	double nipple G 3/8"						
9	1	2070.0020	gasket						
10	1	2016.0910	quench nozzle						
11	4	1206.0120	toothed lock washer A 6,4						
12	6	1106.0160	hex nut M6						
13	1	4016.0601	air inlet grommet						
14	2	2066.0506	hose clamp 20 - 32 mm						
15	1	3014.0150	sensor bypass	B2					
16	1	2067.1605	silicone hose 285 mm long						
17	1	2070.0008	elbow fitting G 1/2", 90°						
18	1	1315.0100	copper washer						
19	1	2016.0850	bushing G 1/2"						
20	4	1306.0221	washer A 6,4						
21	1	5012.0525	gasket						
22	1	8100.0115	drip collector						
23	1	4016.0400	grommet						
24	1	3038.0100	terminal box						
25	4	1204.0120	toothed lock washer A 4,3						
26	4	1004.0660	hex socket head cap screw M 4 x10						
27	1	2022.0101	grommet						
28	1	3014.0312	thermostat quenching system	P1					



**Bottom (Top elevation)**

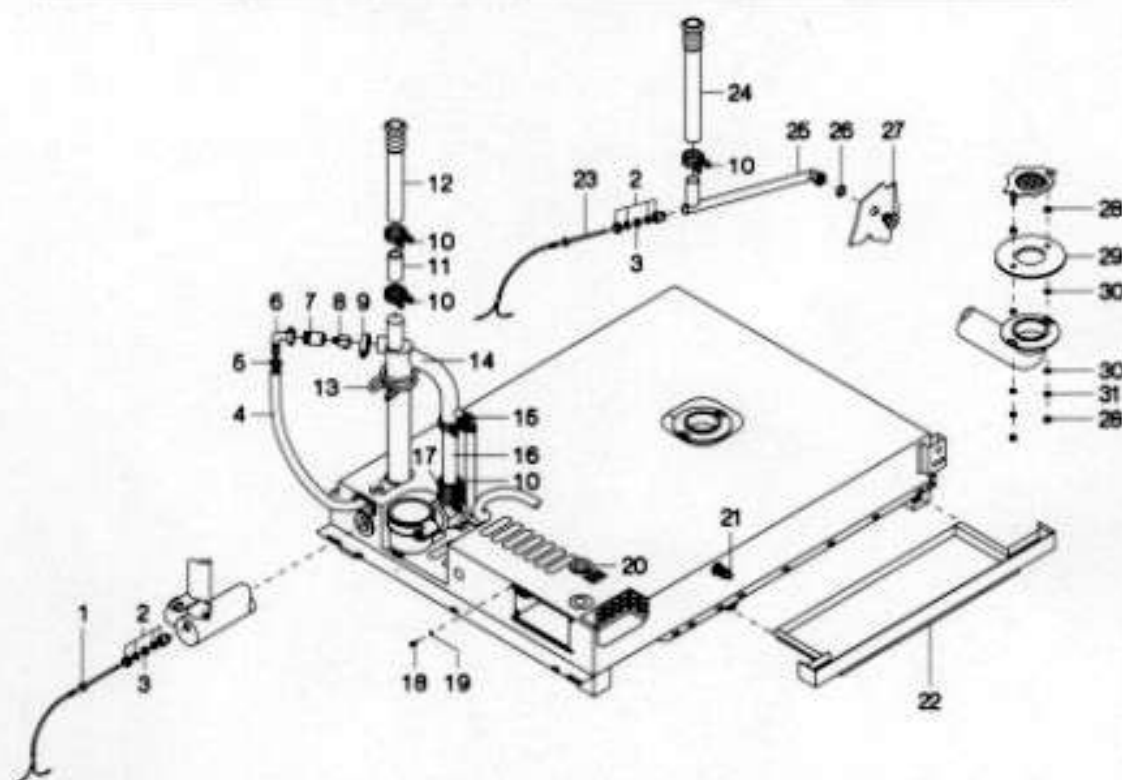
Component Group	Page	Edition	applicable from Serial No.
<b>9</b>	<b>9.1</b>	<b>9.1.3</b>	<b>06M 89 10 4001</b>



Pos.	Pcs.	Sp.	Part No.	Description	Sign	Pos.	Pcs.	Sp.	Part No.	Description	Sign
1	1		2067.0125	pressure hose 900 mm long		30	1		3014.0305	stuffing box nipple	
2	2		2066.0202	hose clamp 12 - 22 mm		31	1		3014.0303	stuffing box packing	
3	1		2067.1610	silicone hose 250 mm long		32	1		3016.1400	door switch	S3
4	2		2022.0105	grommet		33	1		2070.0021	cover for quench nozzle	
5	1		2062.0102	hose fitting G 3/8"		-	1		8612.0104	quench nozzle complete (pos. 5, 6, 33, 8, 9, 10)	
6	1		2064.0300	elbow fitting G 3/8", 90 degrees							
7	1		2067.0122	pressure hose							
8	1		2064.0200	double nipple G 3/8"							
9	1		2070.0020	gasket							
10	1		2018.0910	quench nozzle							
11	4		1206.0120	toothed lock washer A 6,4							
12	6		1106.0160	hex nut M6							
13	1		4016.0601	air inlet grommet							
14	4		2066.0506	hose clamp 20 - 32 mm							
15	1		3014.0150	sensor for bypass	B2						
16	1		2067.1605	silicone hose 285 mm long							
17	1		8450.0101	elbow fitting G 1/2", 90 degrees							
18	1		1315.0100	copper washer							
19	1		2016.0857	bushing G 1/2"							
20	4		1306.0221	washer A 6,4							
21	1		5012.0525	gasket							
22	1		8100.0115	drip collector							
23	2		4016.0450	grommet							
24	1		3038.0100	terminal box							
25	4		1204.0120	toothed lock washer A 4,3							
26	4		1004.0660	hex socket head cap screw M 4x10							
28	1		3014.0312	thermostat	P1						
29	2		3014.0304	quenching system washer							

**Bottom (Top elevation)**

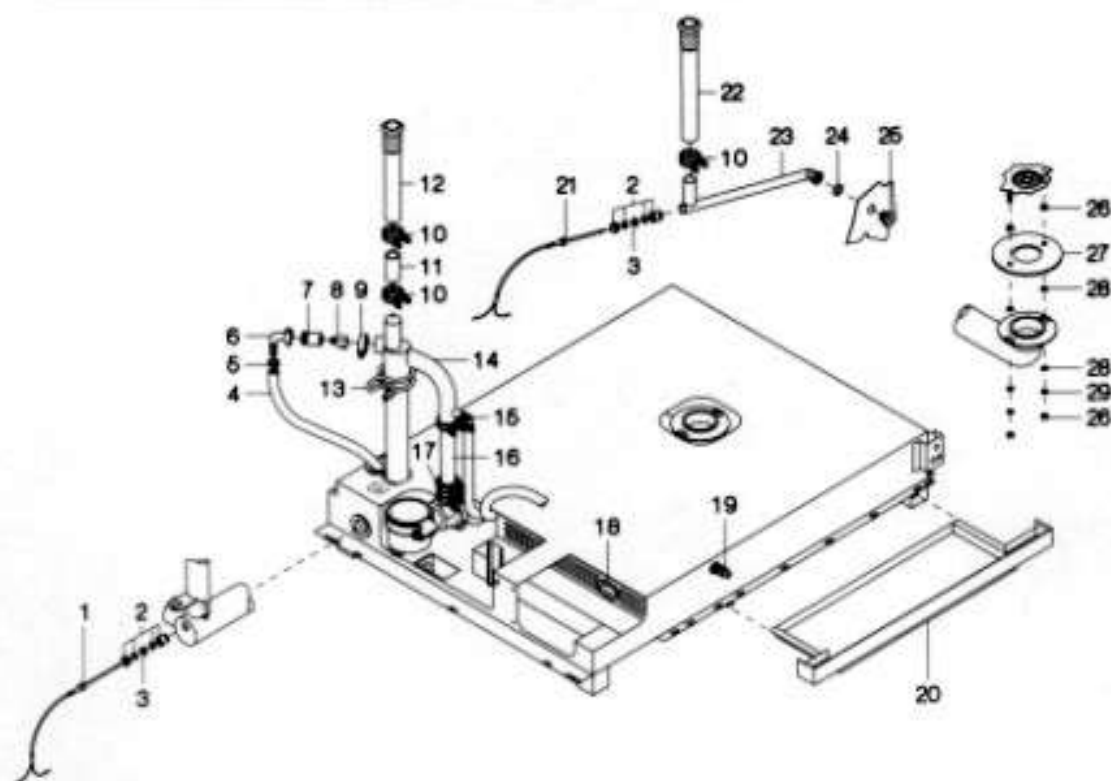
Voltage	Group	Page	Edition	Application from Serial. No.
<b>3 N AC 380V 50Hz</b>	<b>9</b>	<b>9.1</b>	<b>9.1.4</b>	<b>06M91042001</b>



Pos.Pcs.	Sp. Part No.	Description	Sign.	Pos.Pcs.	Sp. Part No.	Description	Sign.
-	1	8612.0110		29	1	5012.0555	
		quenching nozzle cpl. (pos.7,8)		30	4	1306.0221	
1	1	3014.0156	E2	31	2	1206.0120	
2	2	4007.0600				gasket	
3	2	2022.0100				washer A6,4	
4	1	2067.0163				toothed lock washer A6,4	
5	4	2066.0205					
6	1	2062.0208					
7	1	2016.0883					
8	1	2016.0916					
9	1	2066.0506					
10	3	2066.0518					
11	1	2610.420319					
12	1	4016.0102					
13	1	2066.0520					
14	1	2022.0201					
15	1	2062.0301					
16	1	2644.260289					
17	1	2022.0202					
18	4	1004.0660					
19	4	1204.0120					
20	3	4016.0450					
21	1	3016.1400	S2				
22	1	8100.0115					
23	1	3014.0156	E3				
24	1	4016.0101					
25	1	2071.0100					
26	1	1315.0104					
27	1	2016.0920					
28	6	1106.0160					

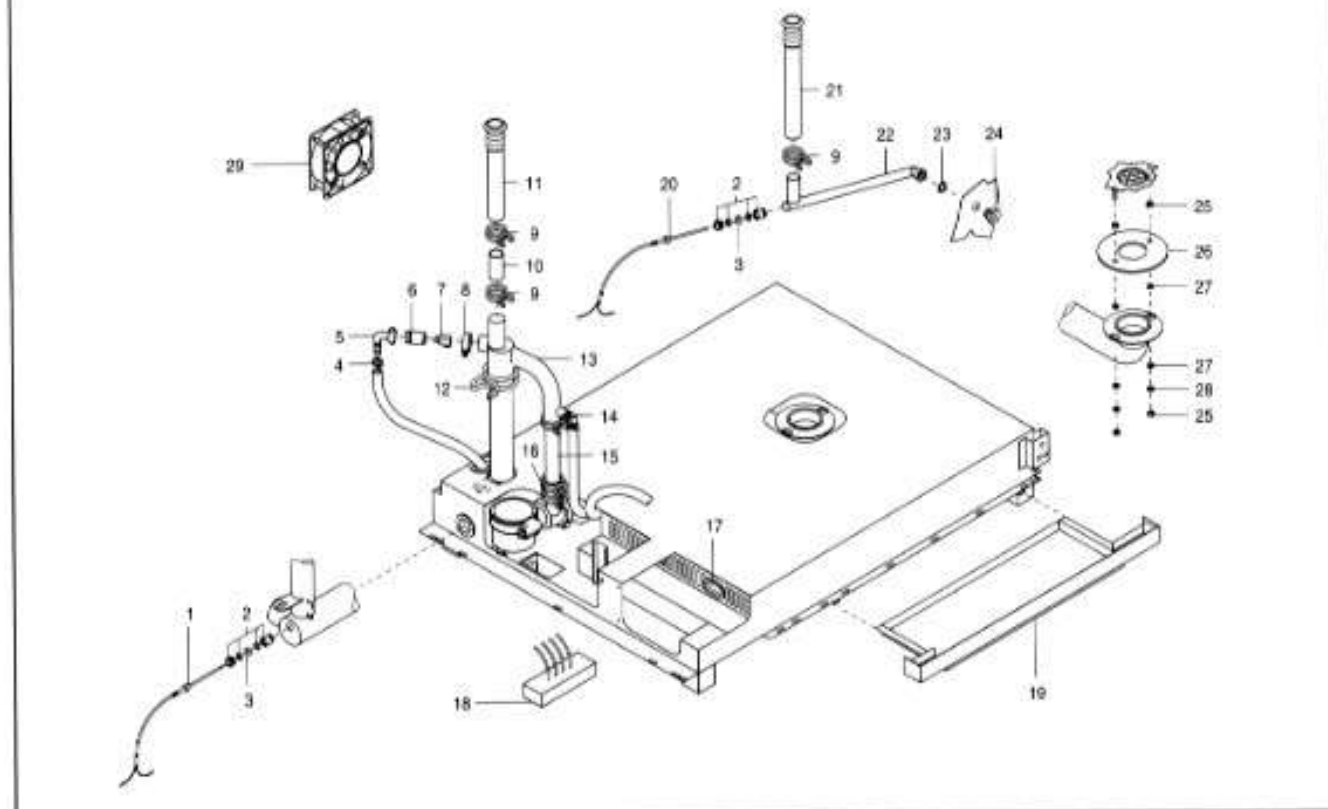
**Bottom (Top elevation)**

Voltage	Group	Page	Edition	Application from Serial. No.
<b>3 N AC 380V 50Hz</b>	<b>9</b>	<b>9.1</b>	<b>9.1.5</b>	<b>06M92051620</b>

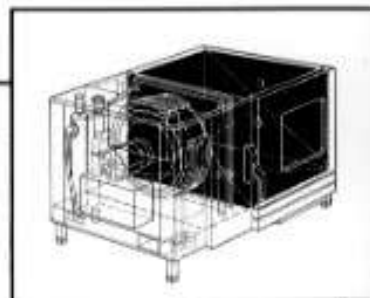


Pos.	Pcs.	Sp.	Part No.	Description	Sign.
-	1		8612.0110	quenching nozzle cpl. (pos.7,8)	
1	1		3014.0156	sensor quenching	E2
2	2		4007.0600	cable connection PG9	
3	2		2022.0100	gasket	
4	1		2067.0163	pressure hose 800mm long	
5	4		2066.0205	hose clamp 12-18mm	
6	1		2062.0208	threaded pipe angle G1/2"	
7	1		2016.0883	screwing for quenching nozzle	
8	1		2016.0916	quenching nozzle	
9	1		2066.0506	hose clamp 20-32mm	
10	3		2066.0518	hose clamp 30mm	
11	1		2610.420319	PP-pipe 50mm long	
12	1		4016.0102	air inlet grommet	
13	1		2066.0520	hose clamp 46mm	
14	1		2022.0201	drain elbow	
15	1		2062.0301	plastic elbow fitting	
16	1		2644.260269	PP-pipe 140mm long	
17	1		2022.0202	hose connection pipe 40mm long	
18	3		4016.0450	grommet	
19	1		3016.1400	door switch	S2
20	1		8100.0115	drip collector	
21	1		3014.0156	sensor bypass	E3
22	1		4016.0101	air inlet grommet	
23	1		2071.0100	bypass pipe	
24	1		1315.0104	copper washer	
25	1		2016.0920	bypass nozzle	
26	6		1106.0160	hex nut M6	
27	1		5012.0555	gasket	
28	4		1306.0221	washer A6,4	
29	2		1206.0120	toothhead lock washer A6,4	

<b>Bodengruppe</b> (Oberseite)	Spannung	Baugruppe	Ausgabe	gültig ab Seriennummer
<b>Bottom</b> (Top elevation)	Voltage	Group	Edition	Applicable from Serial.No.
	3 N AC 400V 50Hz	9	9.1.6	06M96011001

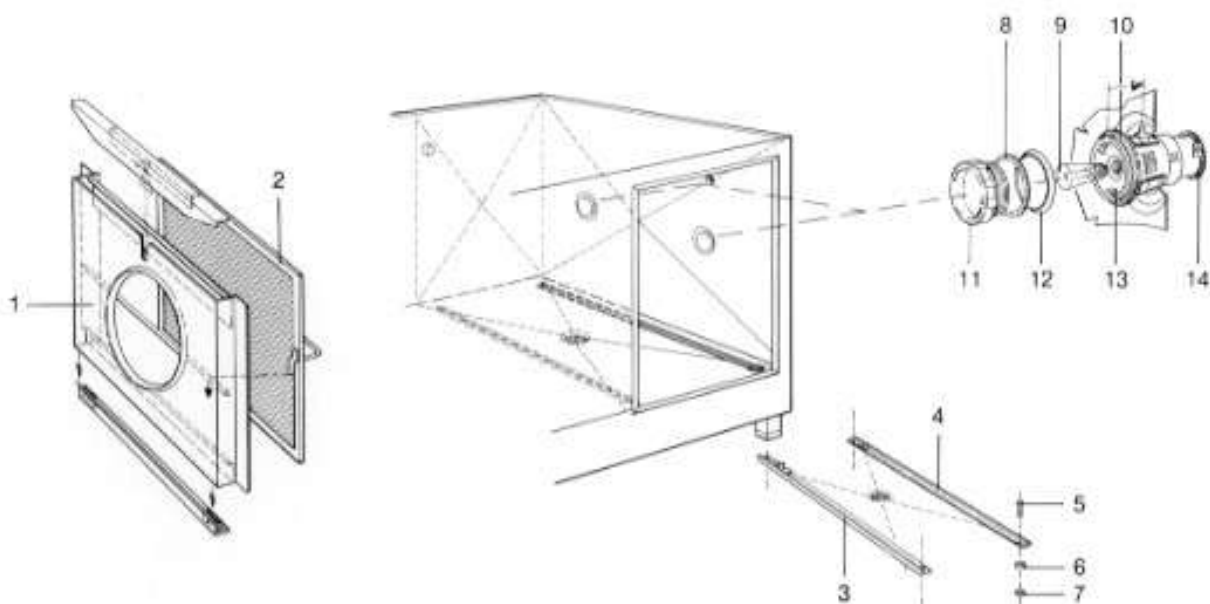


Pos.	St.	Ersatz.Nr.	Bezeichnung	Description
Pos.	Pcs.	Sp. Part No.		
-	-	2067.0050	Druckschlauch NW 10 11fm.	Pressure hose NW10 per meter
-	1	8612.0110	Ablöschdüse oben kpl. (Pos. 7,8)	Quench nozzle top (pos. 7,8)
1	1	3014.0156	Fühler Ablöschung/Bypass	Sensor bypass/quenching
2	2	4007.0600	Kabelverschraubung PG 9 Metall	Cable connection PG9
3	2	2022.0100	Silikondurchführung rot 15x4mm	Silicone gasket red
4	4	2066.0205	Schlauchschelle 12-18 mm	Hose clamp 12-18 mm
5	1	2062.0208	Winkelverschraubung G1/2"x10	Elbow Nipple 1/2"x10mm
-	1	5012.0539	Dichtung Winkelverschraubung G1/2"	Gasket for G1/2" threaded joint
6	1	2016.0883	Verschraubung Ablöschdüse	Threaded connection for quenching nozzle
7	1	2016.0916	Ablöschdüse oben	Quenching nozzle top
8	1	2066.0506	Schlauchschelle 20-32mm	Hose clamp 20-32mm
9	6	2066.0518	Schlauchklemme 30mm	Hose clamp 30mm
10	1	2610.420319	PP-Rohr 50mm lang Typ 6 Ablaufbelüftung	PP-pipe 50mm type 6 drain vent
11	1	4016.0102	Entlüftungstülle 200mm ab 04/91	Vent grommet 200mm from 4/91
12	1	2066.0520	Schlauchklemme d 47 mm	Hose clamp 47 mm
13	1	2022.0201	Abflußkrümmer ab 04/91	Drain elbow from 04/91
14	1	2062.0301	Winkelschlauchfitting WS 10	Angle fitting plastic WS 10
15	1	2644.260289	PP-Rohr 140mm Typ 6 für Pumpenanschluß	PP-pipe 140 mm type 6 pump connection
16	1	2022.0202	Schlauchstutzen 40mm SC-Pumpe	Hose connection piece 40 mm SC-pump
17	3	4016.0450	Formtülle	Vent grommet
18	1	3001.0452	Entstörfilter	Electronic noise filter
19	1	8100.0115	Fettauffangwanne	Drip collector
20	1	3014.0156	Fühler Ablöschung/Bypass	Sensor bypass/quenching
21	1	4016.0101	Entlüftungstülle 250mm	Vent grommet 250mm
22	1	2071.0100	Bypassrohr	Bypass pipe
23	1	1315.0104	Kupferdichtung 16x20x1,5	Copper washer 16x20x1,5
24	1	2016.0920	Bypassdüse ab 04/91	Bypass nozzle from 4/91
25	6	1106.0160	Sechskantmutter M6	Hex nut M6
26	1	5012.0555	Dichtung Bodenablauf	gasket for drain
27	4	1306.0221	Unterlegscheibe A6,4 DIN9021	Washer A6,4 DIN125
28	2	1206.0120	Zahnscheibe A6,4	Toothed lock washer A6,4
29	1	3101.1008	Kühllüfter	Cooling motor



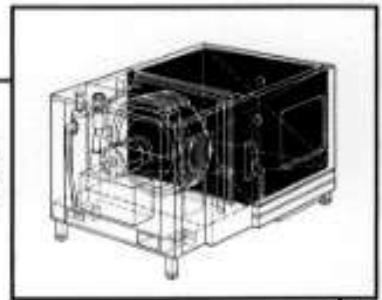
**Interior Cabinet**

Component Group	Page	Edition	applicable from Serial No.
<b>7</b>	<b>7.1</b>	<b>7.1.1</b>	<b>06M 86 03 1003</b>



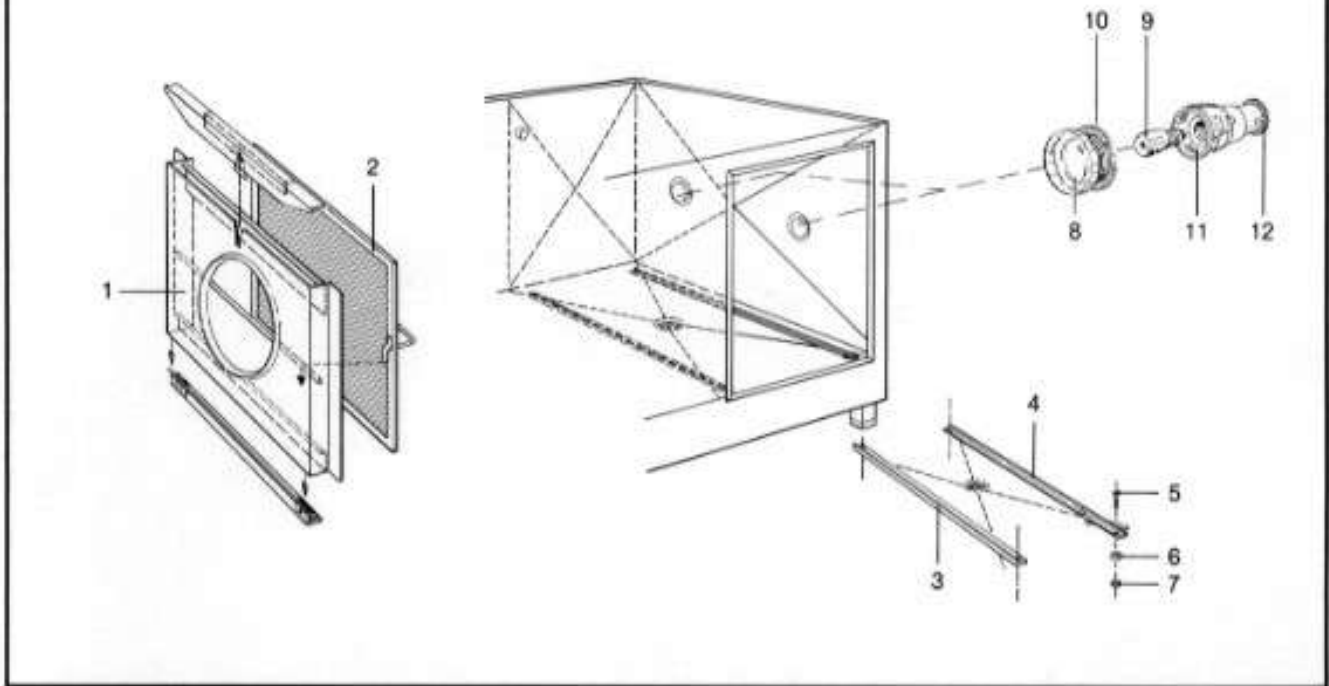
Pos.	Pcs.	Sp.	Part No.	Description	Sign
-	2		3023.0501	interior lamp, complete	
1	1		8002.1002	air baffle	
2	1		2010.0902	fat filter	
3	1		8400.0150	rail left	
4	1		8400.0151	rail right	
5	4		1005.0462	countersunk screw with slot M 5x25	
6	4		2031.1000	spacer	
7	4		1105.0400	rivet nut M5	
8	1		5012.0509	gasket for lamp lens	
9	2		3024.0200	bulb, heat-resistant	
10	1		5012.0508	gasket for lamp socket	
11	2		3025.0002	lamp lens	
12	2		3025.0003	metal ring	
13	2		3023.0502	socket for interior lamp	H1, H2
14	2		5012.0514	insulation paper	





**Interior Cabinet**

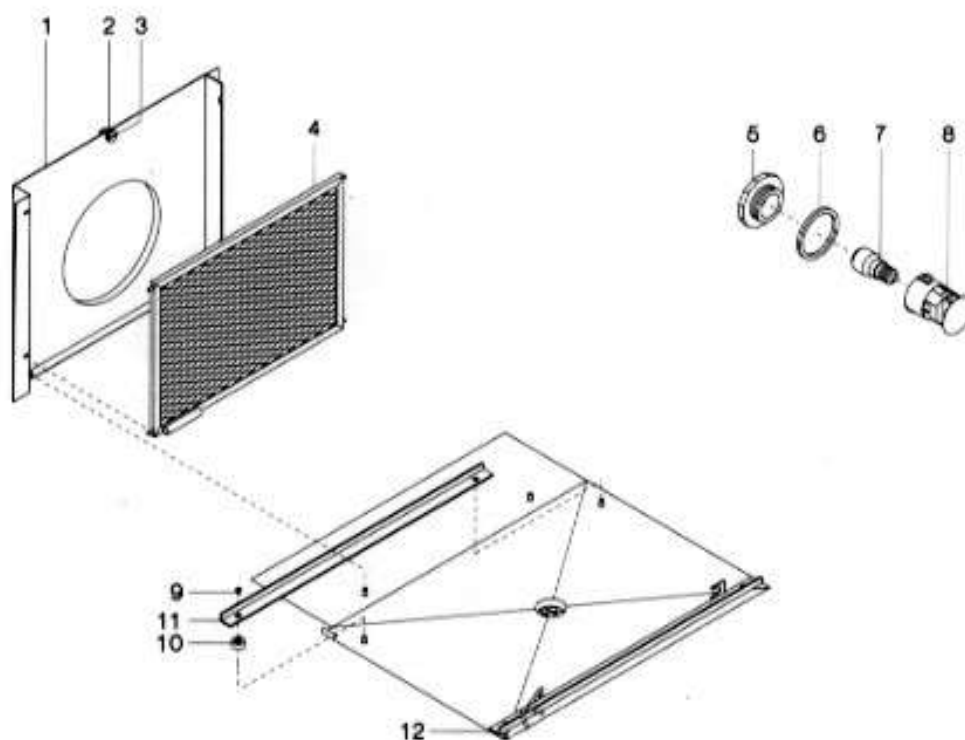
Component Group	Page	Edition	applicable from Serial No.
<b>7</b>	<b>7.1</b>	<b>7.1.2</b>	<b>06M 87 02 1075</b>



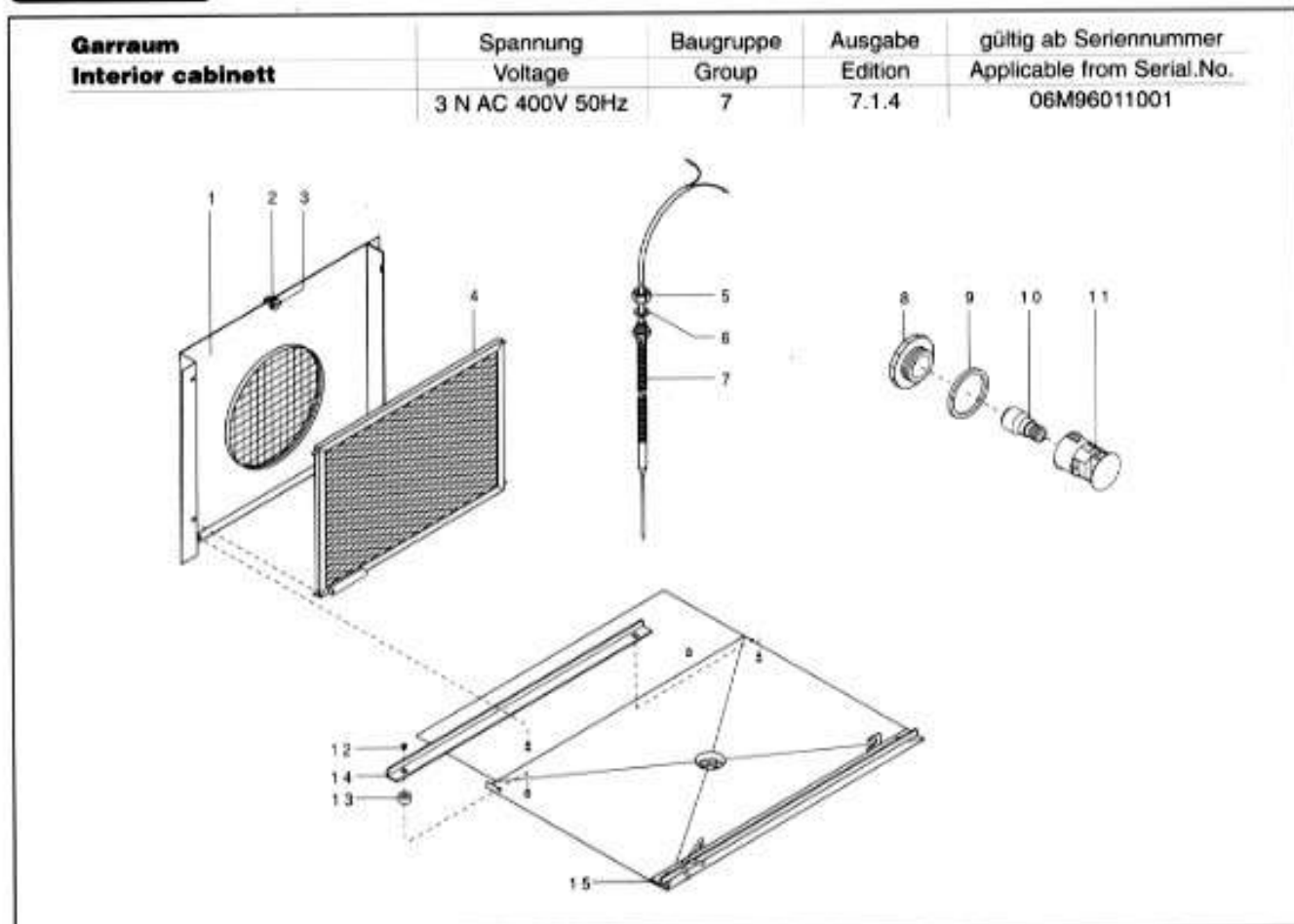
Pos.	Pcs.	Sp. Part No.	Description	Sign
-	2	3023.0501	interior lamp, complete	
1	1	8010.1004	air baffle	
2	1	2010.0902	fat filter	
3	1	8400.0150	rail left	from 06M88122491 : 8400.0160
4	1	8400.0151	rail right	from 06M88122491 : 8400.0162
5	4	1005.0467	countersunk screw with slot M 5x8	
6	4	2031.1000	spacer	
7	4	1410.0100	female plug	
8	2	3025.0002	lamp lens	
9	2	3024.0200	bulb, heat-resistant	
10	2	5012.0535	gasket	
11	2	3023.0502	socket for interior lamp	H1,H2
12	2	2580.980589	insulation paper	

**Interior Cabinet**

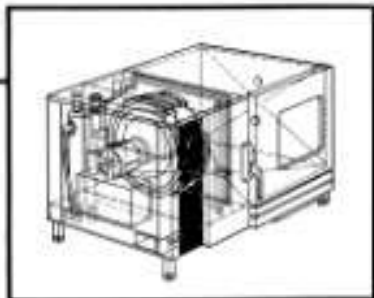
Voltage	Group	Page	Edition	Application from Serial. No.
<b>3 N AC 380V 50Hz</b>	<b>7</b>	<b>7.1</b>	<b>7.1.3</b>	<b>06M91042001</b>



Pos.	Pcs.	Sp. Part No.	Description	Sign.
-	2	3023.0501	interior lamp cpl.	
1	1	8011.1105	air baffle cpl.	
2	1	2043.0203	holder plate for quick acting closure	
3	1	2043.0201	locking pin	
4	1	2010.0905	fat filter	
5	2	3025.0002	lamp lens	
6	2	5012.0535	gasket	
7	2	3024.0200	bulb, heat resistant	
8	2	3023.0506	socket for interior lamp	H1,H2
9	4	1005.0467	countersunk screw with slot M5x8	
10	4	2031.1000	spacer	
11	1	8400.0160	rail left	
12	1	8400.0162	rail right	

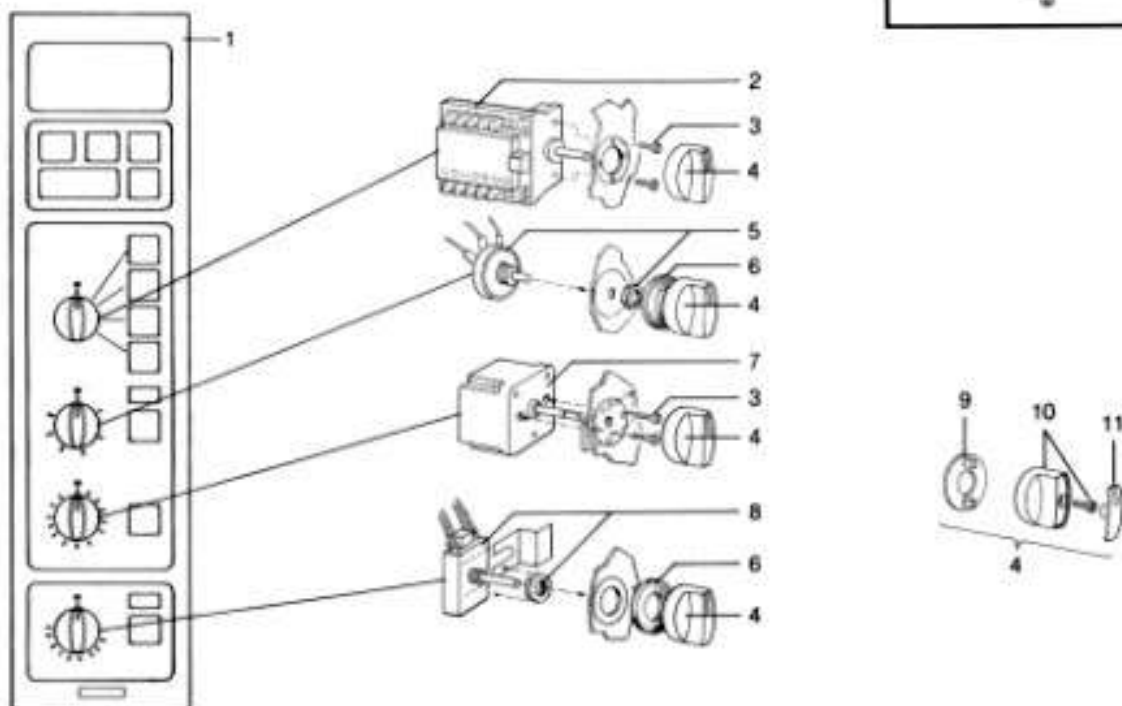


Pos.	St.	Ersatz.Nr.	Bezeichnung	Description
Pos.	Pcs.	Sp. Part No.		
-	1	3023.0501	Garraumbeleuchtung kpl.	Interior lamp cpl.
1	1	8011.1210	Trichterblech kpl.	Air baffle cpl.
2	1	2043.0203	Haltescheibe Luftleitblech	Holder plate air baffle
3	1	2043.0201	Verschlußbolzen Luftleitblech	Locking pin air baffle
4	1	2010.0905	Fettfilter Typ 6	Fat filter type 6
5	1	1112.0160	Sechskantmutter M12	Hex nut M12
6	1	3035.0606	Kupferdichtung für Einstechfühler	Copper gasket for meat probe sensor
7	1	3035.0623	Einstechfühler Typ 6	Meat probe sensor type 6
8	2	3025.0002	Lampenglas Garraumbeleuchtung	Lamp lens
9	2	5012.0535	Dichtring Garraumbeleuchtung	Gasket lamp lens
10	2	3024.0200	Glühlampe hitzebeständig 200-240V	Bulb-heat resistant 200-240V
11	2	3023.0506	Lampenfassung Garraumbeleuchtung	Socket for interior lamp
12	4	1005.0467	Senkschraube mit Schlitz M5x8	Slotted countersunk screw M5x8
13	4	2031.1000	Distanzscheibe für HGW-Führungsschiene	Spacer for mobile oven rack guide rail
14	1	8400.0160	Führungsschiene links	Rail left
15	1	8400.0162	Führungsschiene rechts	Rail right

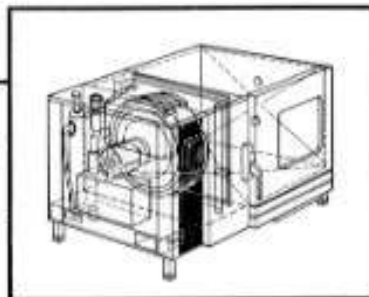


**Control Panel**

Component Group	Page	Edition	applicable from Serial No.
<b>1</b>	<b>1.1</b>	<b>1.1.1</b>	<b>06M 86 03 1003</b>

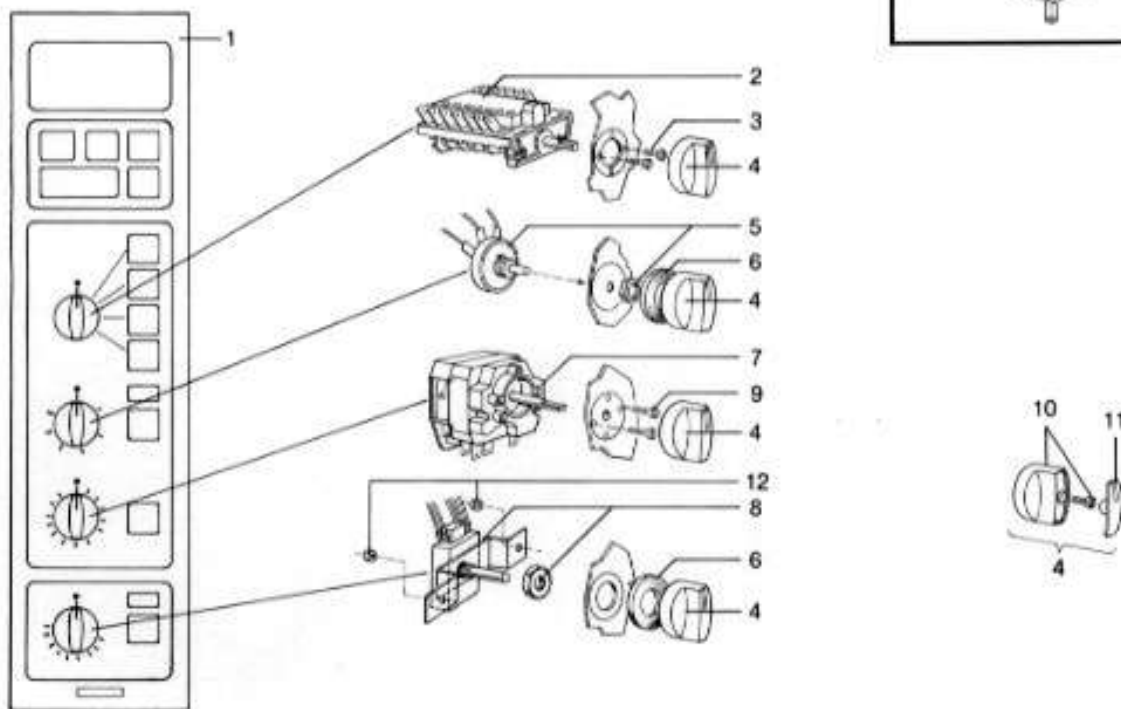


Pos.	Pcs.	Sp.	Part No.	Description	Sign
1	1		2049.0560	control panel	
2	1		3016.1600	mode switch block	S1
3	4		1004.0061	slotted pan head screw M 4 x 8	
4	4		3013.0325	dial complete	
5	1		3040.0150	potentiometer hot air/combi/vario	R1
6	2		5012.0530	gasket	
7	1		3013.0109	timer 120 min	S2
8	1		3040.0151	potentiometer core temperature (incl. on/off)	S4,R2
9	4		3013.0321	nut-cover	
10	4		3013.0320	knob	
11	4		3013.0322	knob-cover	

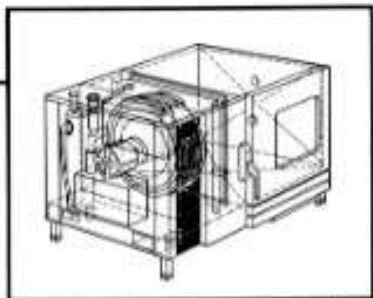


**Control Panel**

Component Group	Page	Edition	applicable from Serial No.
<b>1</b>	<b>1.1</b>	<b>1.1.2</b>	<b>06M 87 11 1514</b>

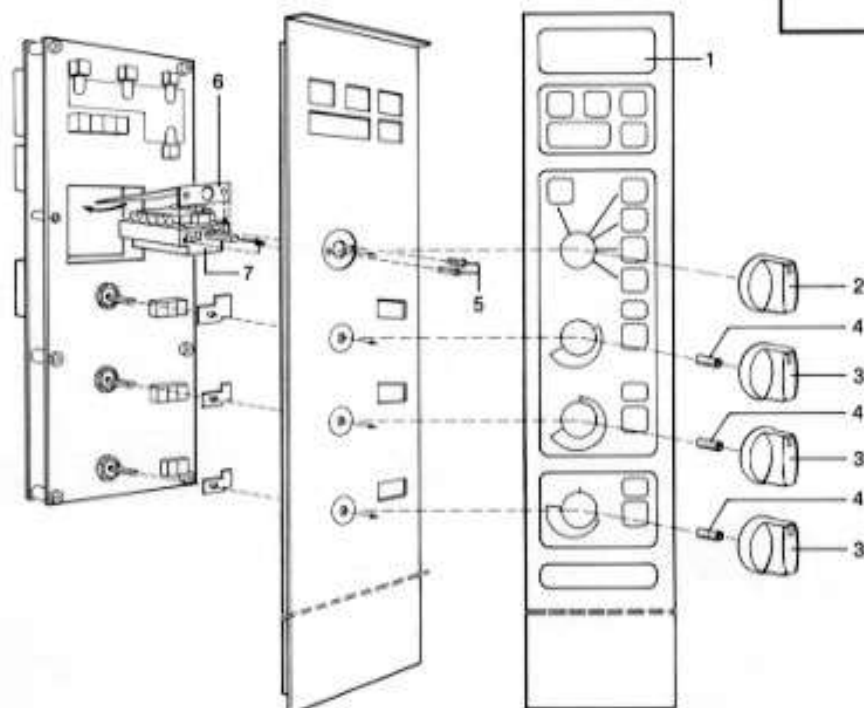


Pos.	Pcs.	Sp.	Part No.	Description	Sign
1	1		2049.0610	control panel	
2	1		3016.1600	mode switch block	S1
3	2		1004.0061	slotted pan head screw M 4x8	
4	4		3013.0329	dial complete	
5	1		3040.0150	potentiometer hot air/combi/vario	R1
6	2		5012.0530	gasket	
7	1		3013.0101	timer 120 min	S2
8	1		3040.0151	potentiometer core temperature (incl. on/off)	S4,R2
9	2		1003.0224	cylinder sheet screw	
10	4		3013.0326	dial	
11	4		3013.0328	dial-cover	
12	2		1106.0801	hex combi nut	



**Control Panel**

Component Group	Page	Edition	applicable from Serial No.
<b>1</b>	<b>1.1</b>	<b>1.1.3</b>	<b>06M 89 04 1287</b>

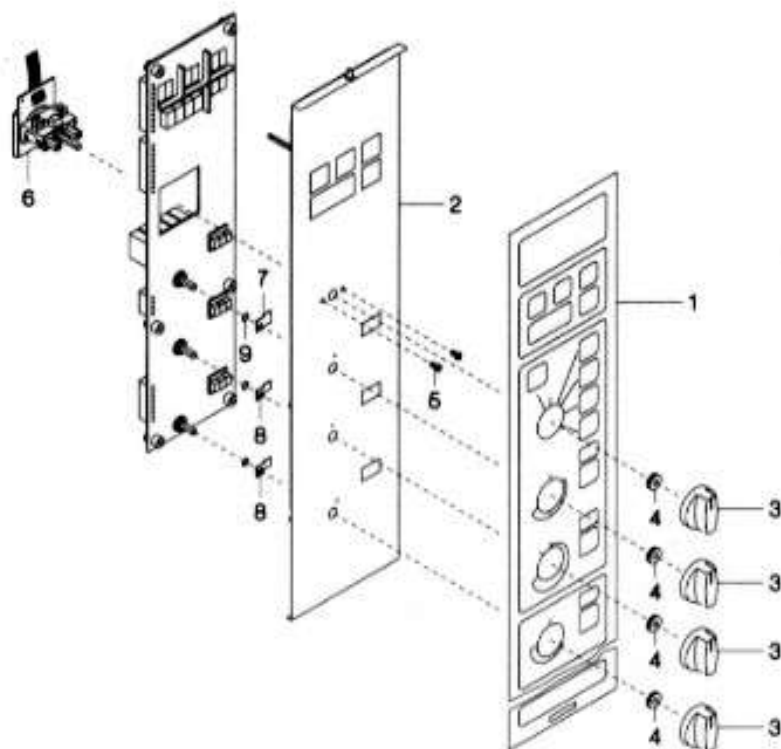


Pos.	Pcs.	Sp.	Part No.	Description	Sign
1	1		2049.0712	control panel	
2	1		3013.0330	dial for mode switch block	
3	3		3013.0331	dial for poti	
4	3		2022.0104	bushing	
5	2		1004.0061	slotted pan head screw M 4x8	
6	1		2510.390772	insulation paper	
7	1		3016.1630	mode switch block	



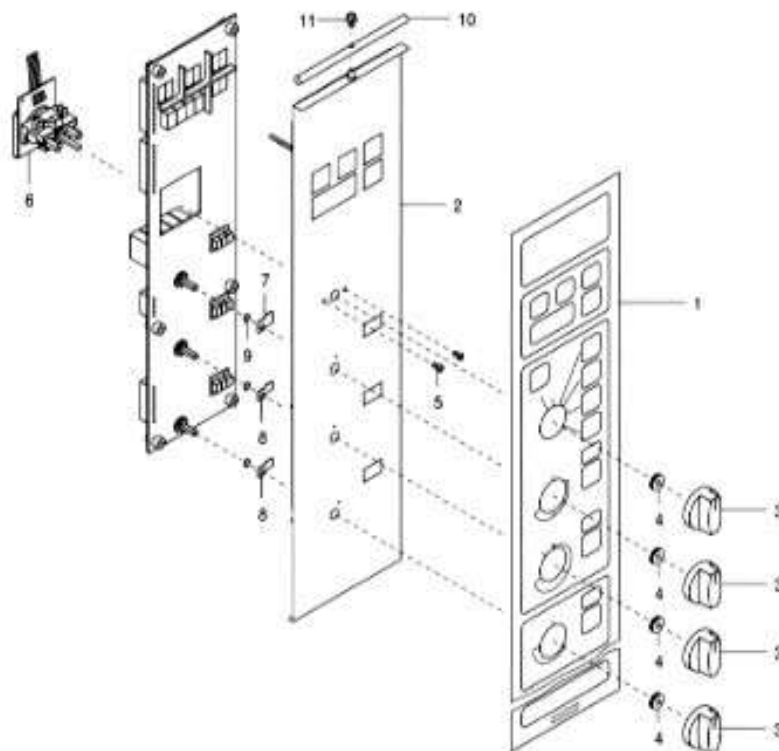
**Contrpl Panel**

Voltage	Group	Page	Edition	Application from Serial. No.
<b>3 N AC 380V 50Hz</b>	<b>1</b>	<b>1.1</b>	<b>1.1.4</b>	<b>06M91042001</b>

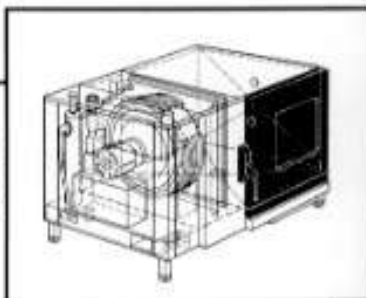


Pos.	Pcs.	Sp. Part No.	Description	Sign.
1	1	2049.0820	control panel	
2	1	8600.01010489	front panel	
3	4	3013.0330	dial	
4	3	2022.0104	grommet	
5	2	1004.0061	slotted pan head screw M4x8	
6	1	3016.1631	mode switch block	S1
7	1	2510.530746	stop for poti hot air	
8	2	2510.520731	stop for poti core temp./timer	
9	3	1315.0101	copper washer	

<b>Bedienblende</b> <b>Control Panel</b>	Spannung Voltage	Baugruppe Group	Ausgabe Edition	gültig ab Seriennummer Applicable from Serial.No.
	3 N AC 400V 50Hz	1	1.1.5	06M96011001

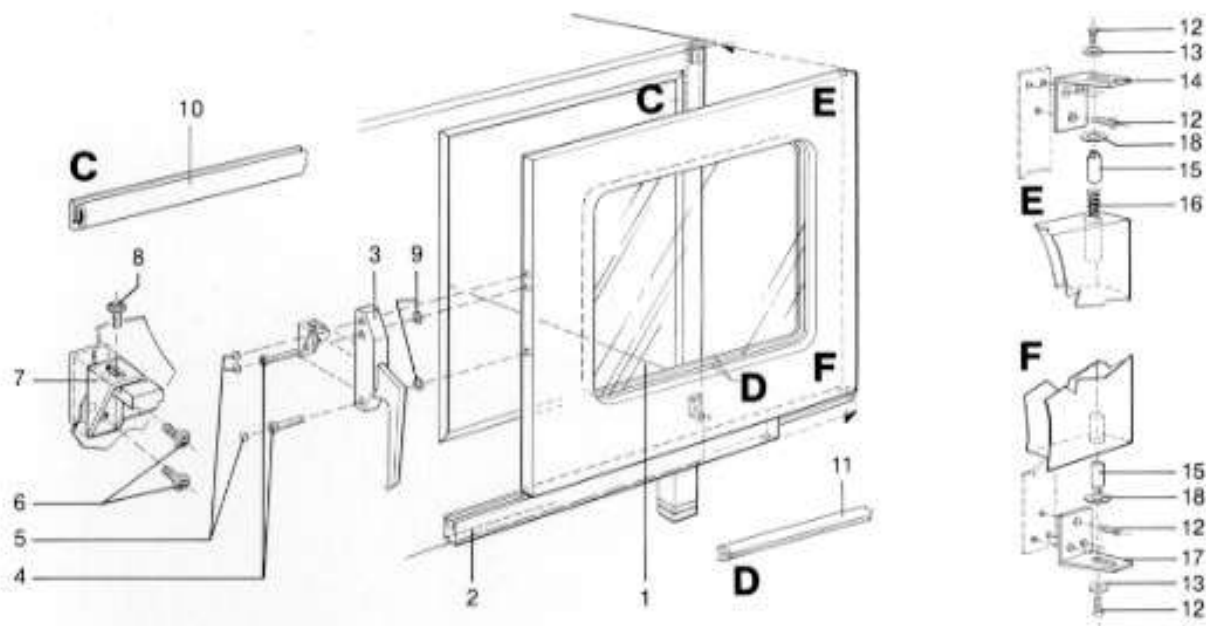


Pos.	St.	Ersatz.Nr.	Bezeichnung	Description
Pos.	Pcs.	Sp. Part No.		
1	1	2049.0820	Blende	Control panel
2	1	8600.01000489	Frontplatte geschweißt	Front panel welded
3	4	3013.0330	Knebel blau Typ CM ab 04/89	Dial blue type CM
4	4	2022.0104	Durchführungsstüle 16 mm	Grommet 16mm
5	2	1004.0061	Zylinderschraube mit Schlitz M4x8	Slotted pan head screw M4x8
6	1	3016.1631	Betriebsartenschalter CM	Mode switch block CM
7	1	2510.530746	Arretierung für Poti Heißluft	Stop for potentiometer hot air
8	2	2510.520731	Arretierung für Poti KT und Uhr	Stop for potentiometer CT and timer
9	3	1315.0101	Kupferdichtung 6x10	Copper washer 6x10 mm
10	1	5012.0556	Dichtung für Bedienblende	Front panel gasket
11	1	1005.2000	Sperrzahnschraube M5x8	Interlocking tooth screw M5x8

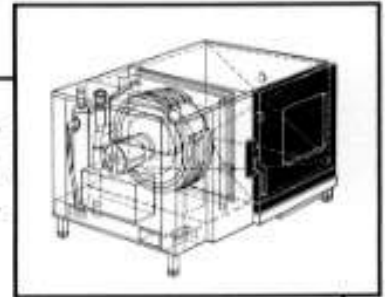


**Door**

Component Group	Page	Edition	applicable from Serial No.
<b>8</b>	<b>8.1</b>	<b>8.1.1</b>	<b>06M 86 03 1003</b>

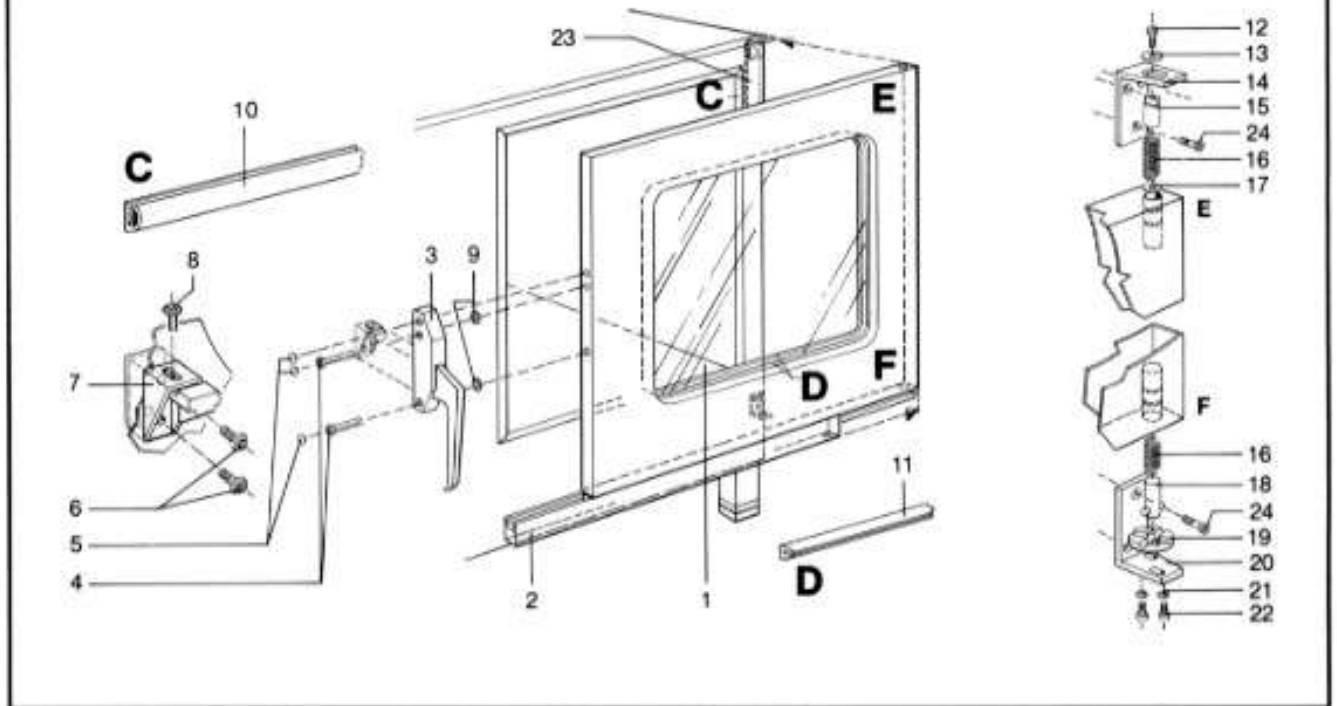


Pos.	Pcs.	Sp.	Part No.	Description	Sign
-	1		8201.1018	door complete	
1	1		5015.1000	door window	
2	1		2530.070008	door drip collector	
3	1		2016.1100	door lock	
4	2		1005.1962	socket countersunk	
				head cap screw M 5x30	
5	3		2016.1102	end-cap door lock	
6	2		1005.2100	safety screw M 5x16	
7	1		2016.0810	door catch	
8	1		1005.2000	safety screw M 5x8	
9	2		1305.0260	washer A 5,3	
10	1		5012.0703	door gasket	
11	1		5012.0200	window gasket	
12	8		1005.1960	socket countersunk	
				head cap screw M 5x16	
13	2		2031.0700	rosette	
14	1		8440.1001	holder on top	
15	2		2016.0801	door bolt	
16	1		2001.0103	compression spring	
17	1		8440.1000	holder below	
18	2		1310.0160	washer A 10,5	



**Door**

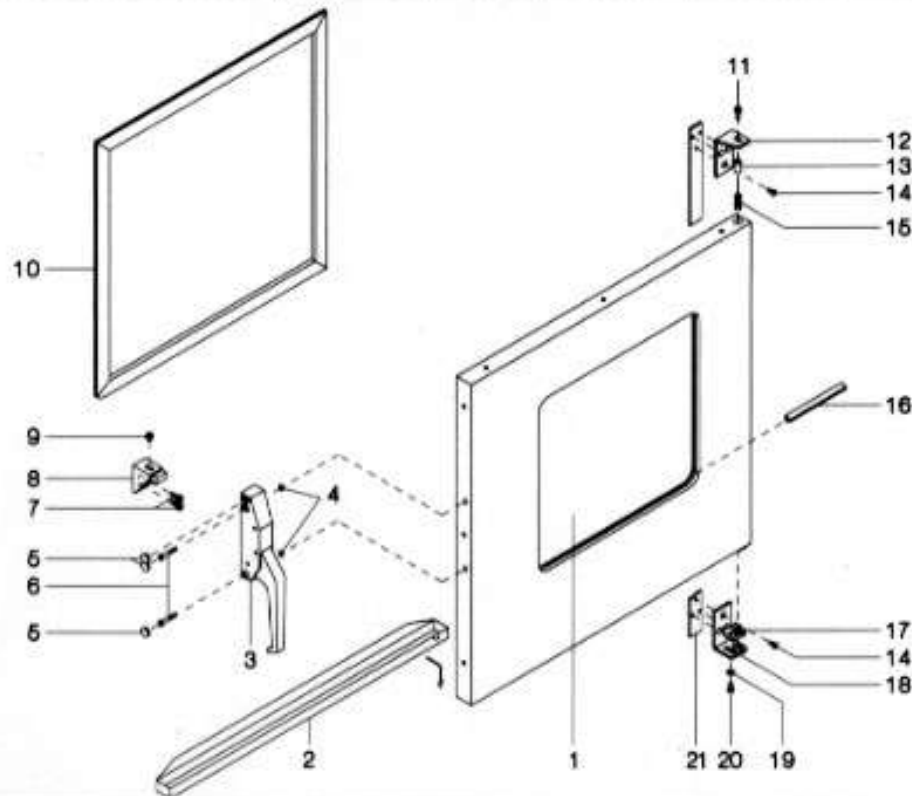
Component Group	Page	Edition	applicable from Serial No.
<b>8</b>	<b>8.1</b>	<b>8.1.2</b>	<b>06M 89 04 1287</b>



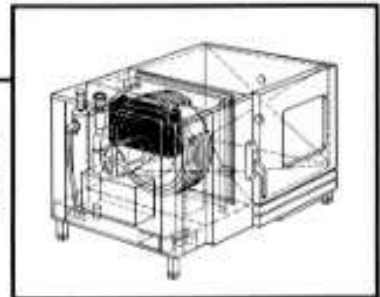
Pos.	Pcs.	Sp.	Part No.	Description	Sign
-	1		8201.10180489	door complete	
1	1		5015.1000	door window	
2	1		8100.0116	door drip collector	
3	1		2016.1100	door lock	
4	2		1005.1962	socket countersunk head cap screw M 5x30	
5	3		2016.1102	end-cap door lock	
6	2		1005.2100	safety screw M 5x16	
7	1		2016.0610	door catch	
8	1		1005.2000	safety screw M 5x8	
9	2		1305.0260	washer A 5,3	
10	1		5012.0703	door gasket	
11	1		5012.0201	set window gasket	
12	1		1008.0750	hex screw M5x16	
13	1		1305.0260	washer	
14	1		8440.1000	door holding bracket, top	
15	2		2016.0801	door bolt	
16	1		2001.0105	compression spring	
17	1		1310.0160	spacing washer	
18	1		2016.0865	locking knob	
19	1		2016.0864	locking plate	
20	1		8440.1006	door holding bracket bottom	
21	1		1205.0360	spring washer	
22	2		1005.0663	hexagon socket screw	
23	1		8440.1007	door holding bracket CD/CM 6	
24	6		1005.1960	socket countersunk head cap screw M 5x16	

**Door**

Voltage	Group	Page	Edition	Application from Serial. No.
<b>3 N AC 380V 50Hz</b>	<b>8</b>	<b>8.1</b>	<b>8.1.3</b>	<b>06M91042001</b>

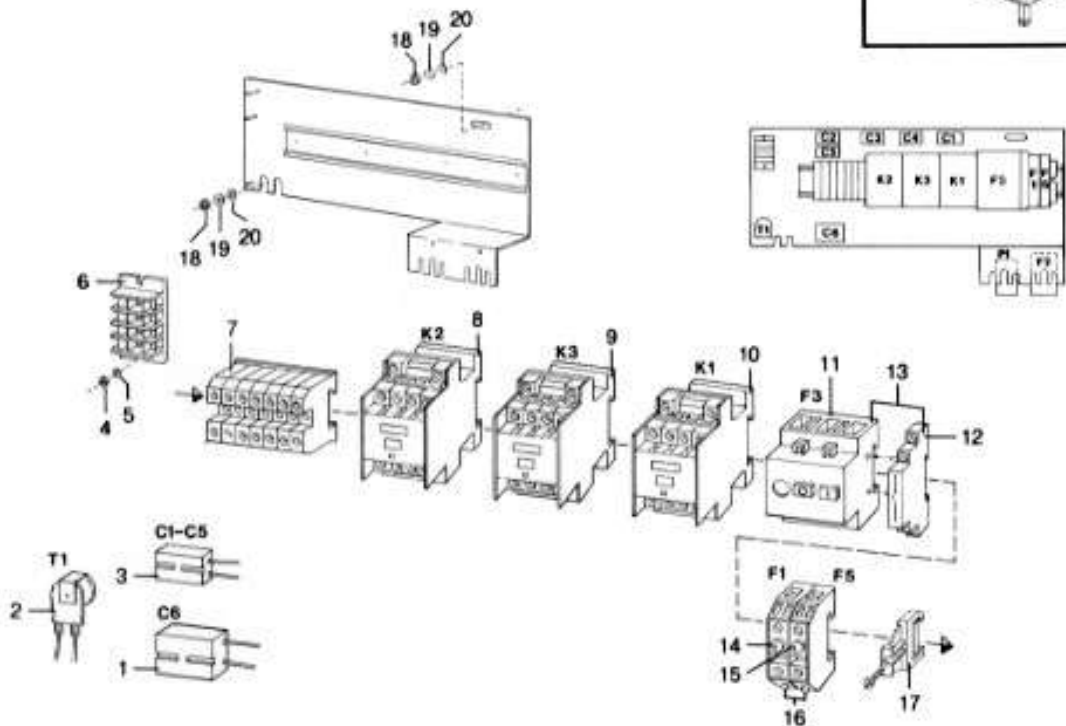


Pos.	Pcs.	Sp.	Part No.	Description	Sign.
-	1		8201.1501	door cpl.	
1	1		5015.1000	door window	
2	1		2530.031166	door drip collector	
3	1		2016.1100	door lock	
4	2		1305.0260	washer A5,3	
5	3		2016.1102	end-cap door lock	
6	2		1005.1964	hex socket countersunk head screw M5x30	
7	3		1005.2100	safety screw M5x16	
8	1		2016.0610	door catch	
9	2		1005.2000	safety screw M5x8	
10	1		5012.0703	door gasket	
11	1		1008.0752	hex cap screw M5x10	
12	1		8440.1000	door holder top	
13	1		2016.0801	door bolt	
14	6		1005.1960	socket countersunk head cap screw M5x16	
15	1		2001.0108	compression spring	
16	1		5012.0201	set gasket for door window	
17	1		2016.0884	door locking plate	
18	1		2630.210311	door holder down	
19	2		1205.0382	spring washer A5,3	
20	1		1008.0752	hex cap screw M5x10	
21	1		2630.200315	door holding bracket top	



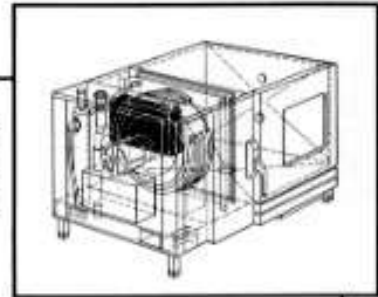
**Electrical Installation**

Component Group	Page	Edition	applicable from Serial No.
<b>2</b>	<b>2.1</b>	<b>2.1.1</b>	<b>06M 86 03 1003</b>



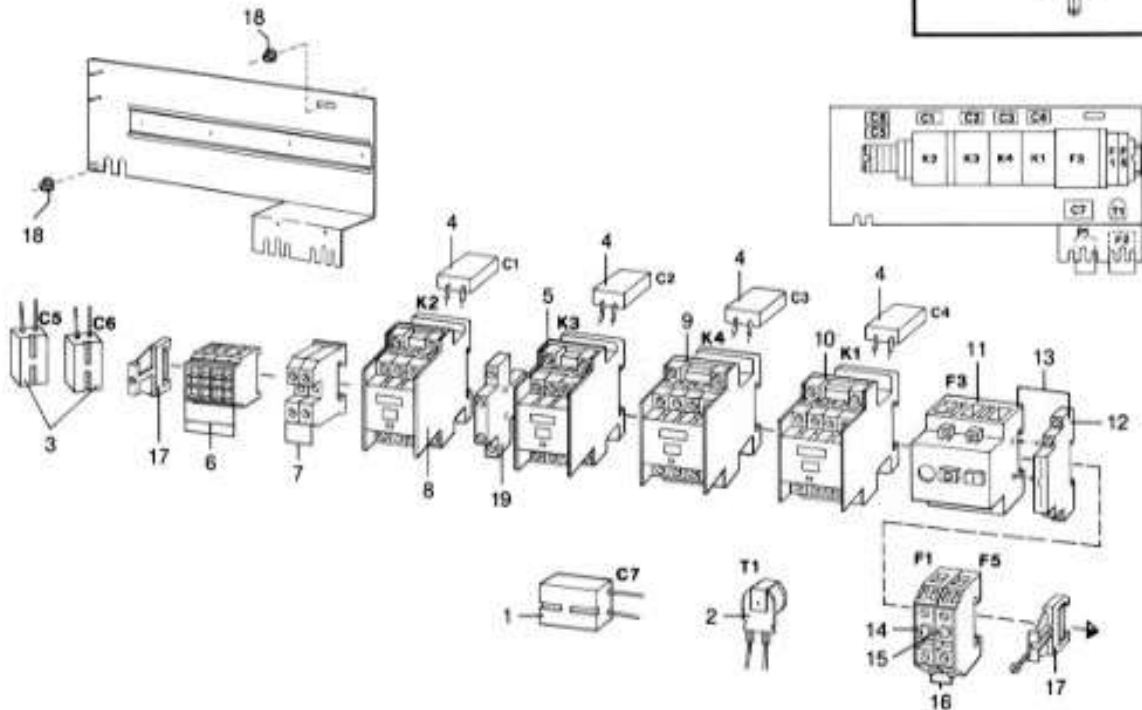
Pos.	Pcs.	Sp.	Part No.	Description	Sign
1	1		3035.0509	RC-link	C6
2	1		3006.0101	buzzer	T1
3	5		3035.0508	RC-link	C1-C5
4	2		1103.0120	hex nut M3	
5	2		1304.0150	washer A 3,2	
6	1		4001.1170	multi connector	
7	7		4001.1209	terminal block grey 16 mm <sup>2</sup>	
8	1		3028.0103	contactor for hot air heating	K2
9	1		3028.0100	contactor for steam generator heating	K3
10	1		3028.0100	motor contactor	K1
11	1		3031.0106	motor protector	F3
12	1		3031.0102	auxiliary contact for motor protector F3	
13	1		3031.0101	motor protector with auxiliary contact	
14	1		3019.0120	fuse 2 A	
15	1		3019.0400	fuse 0,5 A	
16	2		4001.1228	fuse holder	F1,F5
17	1		4001.1201	end plate	
18	2		1106.0160	hex nut M 6	
19	2		1206.0120	toothed lock washer A 6,4	
20	2		1306.0221	washer A 6,4	



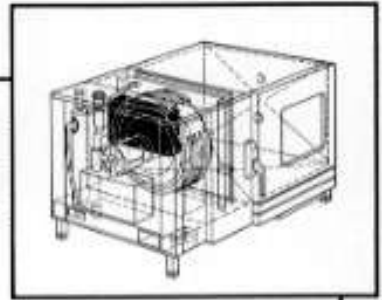


**Electrical Installation**

Component Group	Page	Edition	applicable from Serial No.
<b>2</b>	<b>2.1</b>	<b>2.1.2</b>	<b>06M 89 04 1287</b>

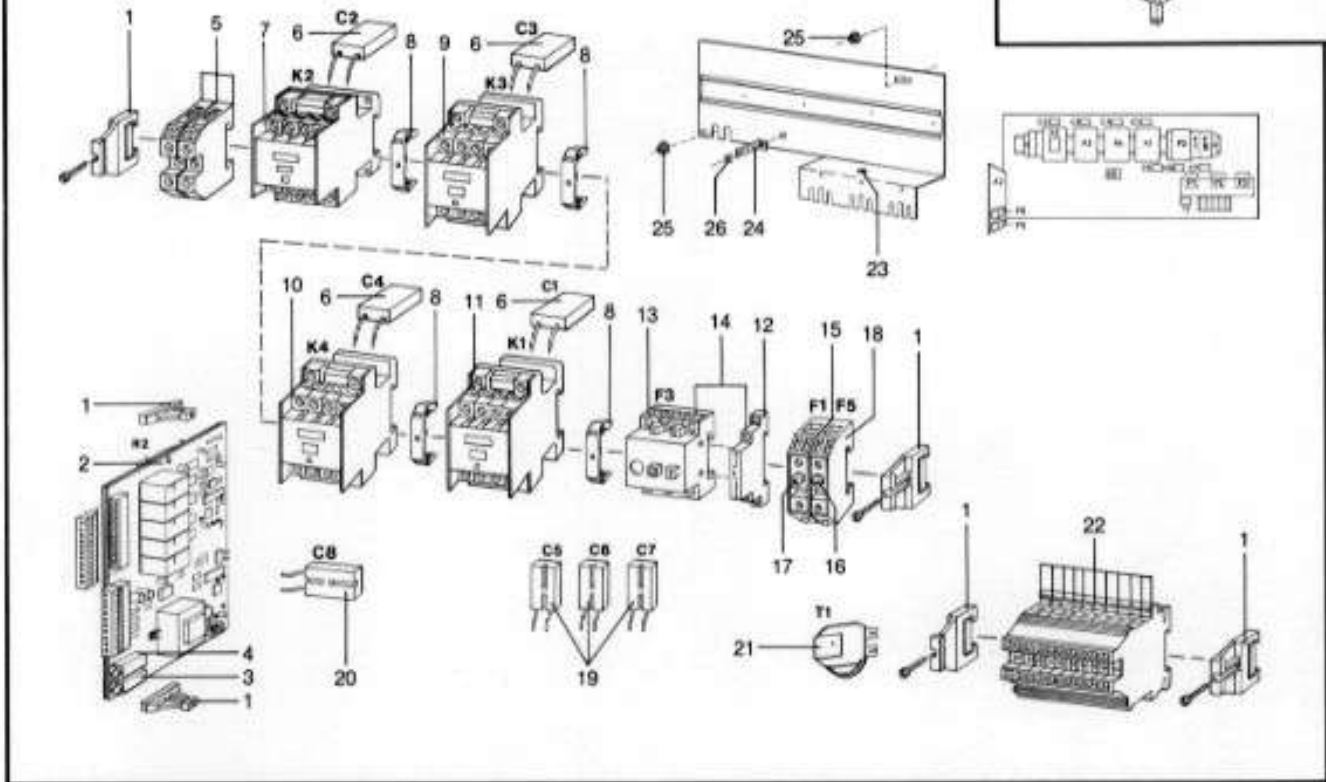


Pos.	Pcs.	Sp. Part No.	Description	Sign
1	1	3035.0509	RC-link	C7
2	1	3006.0101	buzzer	T1
3	2	3035.0508	RC-link	C5,C6
4	4	3035.0514	RC-link	C1-C4
5	1	3028.0103	contactor for reheating	K3
6	4	4001.1176	terminal block	
7	2	4001.1250	terminal block blue 16 mm <sup>2</sup>	
8	1	3028.0103	contactor for hot air heating	K2
9	1	3028.0100	contactor for steam generator heating	K4
10	1	3028.0100	motor contactor	K1
11	-	3031.0106	motor protector	
12	-	3031.0102	auxiliary contact for motor protector F3	
13	1	3031.0101	motor protector with auxiliary contact	F3
14	1	3019.0120	fuse 2 A	
15	1	3019.0400	fuse 0,5 A	
16	2	4001.1228	fuse holder	F1,F5
17	1	4001.1203	end plate	
18	2	1106.0801	hex combi nut M6	
19	1	3028.0150	auxiliary contact for contactor K2	

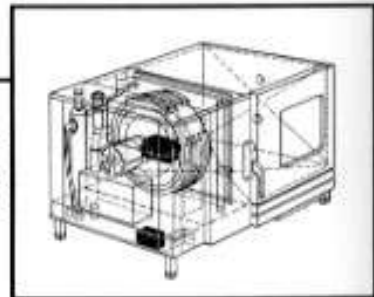


**Electrical Installation**

Component Group	Page	Edition	applicable from Serial No.
<b>2</b>	<b>2.1</b>	<b>2.1.3</b>	<b>06M 89 10 4001</b>

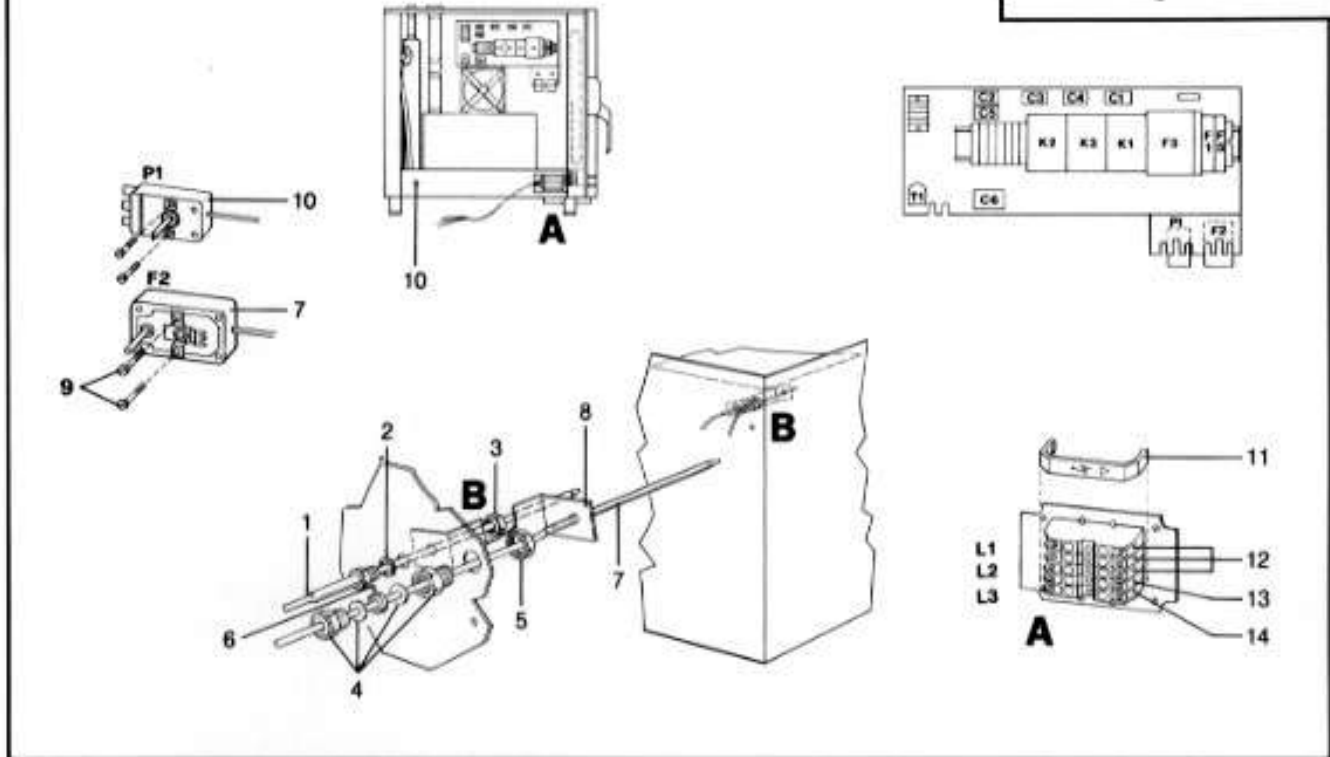


Pos.	Pcs.	Sp.	Part No.	Description	Sign
1	6		4001.1203	end plate	
2	1		3002.0400	level control pcb	A2
3	1		3019.0130	fuse 0,315 A	F5
4	1		3019.0100	fuse 0,1 A	F6
5	2		4001.1250	terminal block blue 16 mm <sup>2</sup>	
6	4		3035.0514	RC-link	C1-C4
7	1		3028.0103	contactor for hot air heating	K2
8	4		4001.1174	distance block	
9	1		3028.0100	contactor for steam generator heating	K3
10	1		3028.0100	contactor for reheating	K4
11	1		3028.0103	contactor for motor	K1
12	-		3031.0102	auxiliary contact for motor protector F3	
13	-		3031.0105	motor protector	
14	1		3031.0101	motor protector with auxiliary contact	F3
15	2		4001.1228	fuse holder	F1,F5
16	1		3019.0120	fuse 2 A	F1
17	1		3019.0400	fuse 0,5 A	F5
18	1		4001.1227	end plate	
19	3		3035.0508	RC-link	C5-C7
20	1		3035.0509	RC-link for alarm buzzer	C8
21	1		3006.0101	alarm buzzer	T1
22	10		4001.1178	terminal block	
23	1		2022.0105	grommet	
24	1		2020.0400	cable holder	
25	2		1106.0801	hex-combi-nut M6	
26	1		1105.0122	hex-combi-nut M 5	

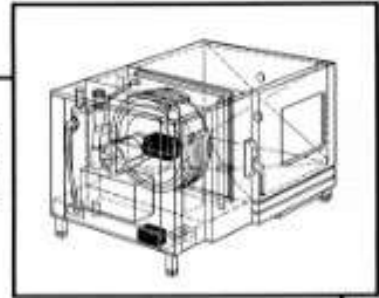


**Electrical Installation**

Component Group	Page	Edition	applicable from Serial No.
<b>2</b>	<b>2.2</b>	<b>2.2.1</b>	<b>06M 86 03 1003</b>

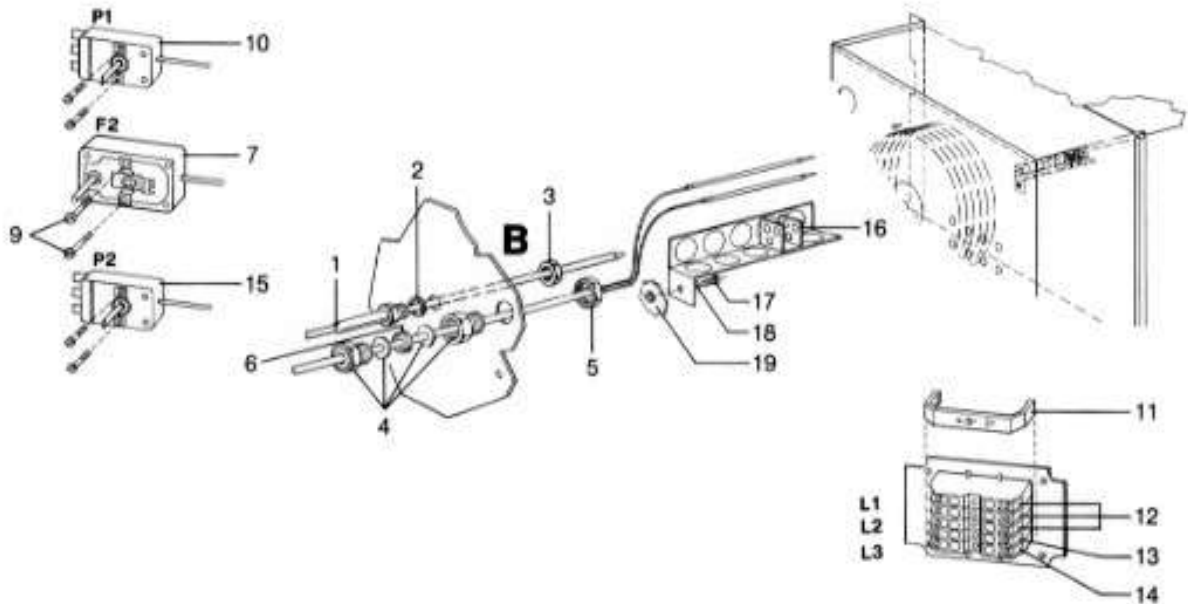


Pos.	Pcs.	Sp.	Part No.	Description	Sign
1	1		3014.0151	sensor interior cabinet	B1
2	1		1315.0101	copper washer	
3	1		1106.0160	hex nut M 6	
4	1		4007.0600	lock nut	
5	1		4007.0601	for cable connection PG 9	
6	1		2022.0100	gasket	
7	1		3014.0310	bi-limit safety thermostat	F2
8	1		2520.400212	holder for thermostat	
9	4		1004.0060	slotted pan head screw	
10	1		3014.0312	thermostat quenching system	P1
11	4		4001.1213	cover	
12	3		4001.1209	terminal block grey 16 mm <sup>2</sup>	
13	1		4001.1250	terminal block blue 16 mm <sup>2</sup>	
14	1		4001.1210	terminal block yellow/green 16 mm <sup>2</sup>	



**Electrical Installation**

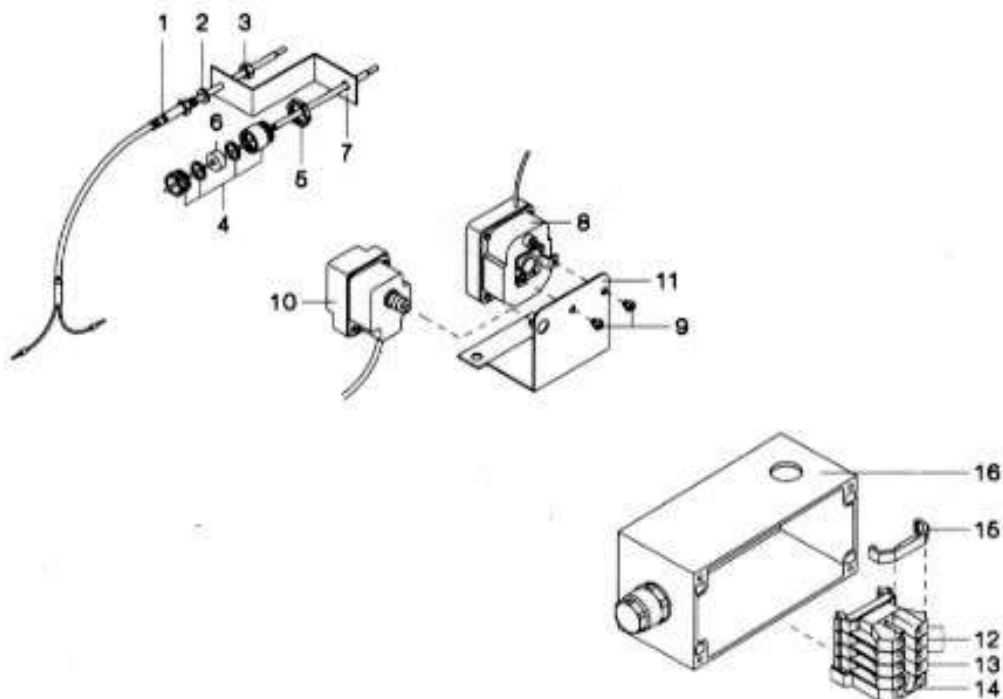
Component Group	Page	Edition	applicable from Serial No.
<b>2</b>	<b>2.2</b>	<b>2.2.2</b>	<b>06M 89 10 4001</b>



Pos.	Pcs.	Sp.	Part No.	Description	Sign
1	1		3014.0151	sensor interior cabinet	B1
2	1		1315.0101	copper washer	
3	1		1106.0160	hex nut M6	
4	1		4007.0600	cable connection PG9	
5	1		4007.0601	lock nut for cable connection PG9	
6	1		2022.0100	gasket	
7	1		3014.0310	bi-limit safety thermostat	F2
9	6		1004.0060	slotted pan head screw M 4x4	
10	1		3014.0312	thermostat quenching system	P1
11	4		4001.1213	cover	
12	3		4001.1209	terminal block grey 16 mm <sup>2</sup>	
13	1		4001.1250	terminal block blue 16 mm <sup>2</sup>	
14	1		4001.1210	terminal block yellow/green 16 mm <sup>2</sup>	
15	1		3014.0311	thermostat	P2
16	1		8430.7002	int. cab. protection holder for thermostat complete	
17	1		1004.0660	hex socket head cap srew M 4x10	
18	1		1204.0120	toothed lock washer A 4,3	
19	1		1104.0400	rivet nut M4	

**Electrical Installation**

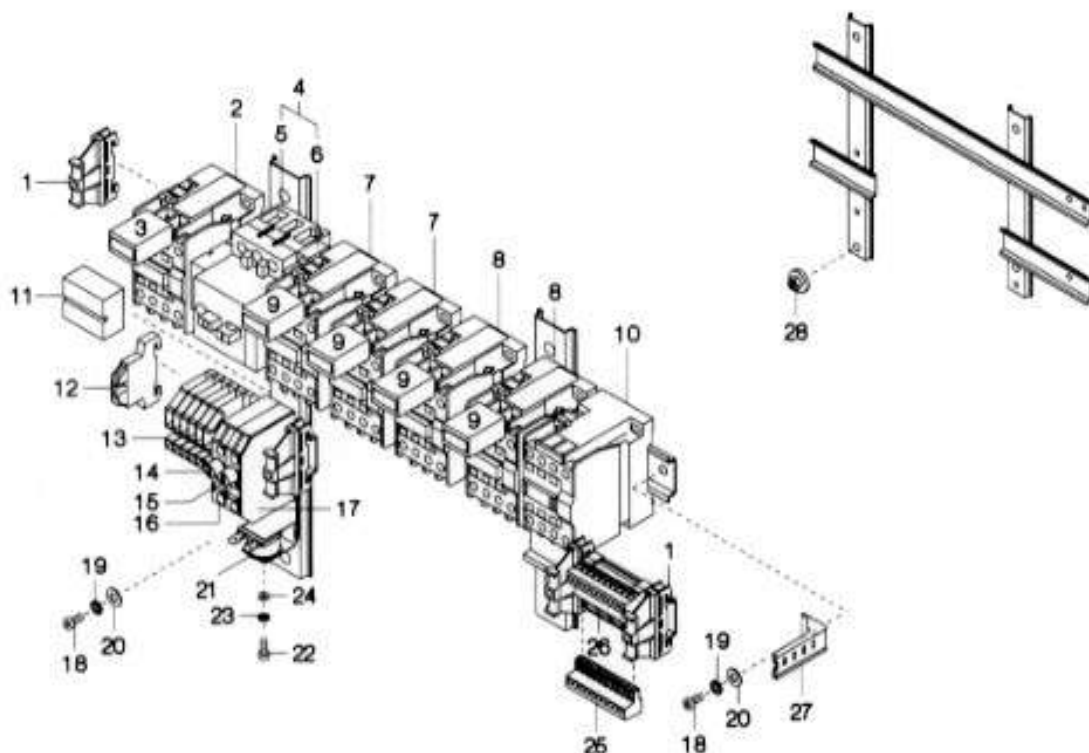
Voltage	Group	Page	Edition	Application from Serial. No.
<b>3 N AC 380V 50Hz</b>	<b>2</b>	<b>2.2</b>	<b>2.2.3</b>	<b>06M91042001</b>



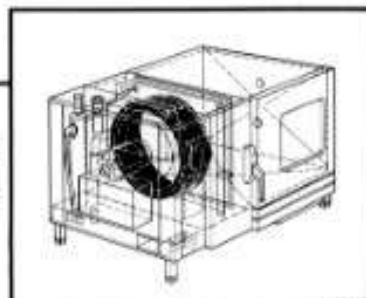
Pos.Pcs.	Sp.	Part No.	Description	Sign.
1	1	3014.0151	interior cabinet sensor	E4
2	1	1315.0101	copper washer	
3	1	1106.0160	hex nut M6	
4	1	4007.0600	cable connection PG9	
5	1	4007.0601	hex nut PG9	
6	1	2022.0100	gasket	
7	1	2520.400212	holding angle	
8	1	3014.0310	bi-limit safety thermostat 360°C	F4
9	2	1004.0060	slotted pan head screw M4x4	
10	1	3014.0300	bi-limit safety thermostat 125°C	F5
11	1	2520.311089	holding angle	
12	3	4001.1202	terminal block grey 16mm <sup>2</sup>	
13	1	4001.1250	terminal block blue 16mm <sup>2</sup>	
14	1	4001.1210	earth terminal 16mm <sup>2</sup>	
15	4	4001.1213	cover 16mm <sup>2</sup>	
16	1	3038.0100	terminal box	

**Electrical Installation**

Voltage	Group	Page	Edition	Application from Serial. No.
<b>3 N AC 380V 50Hz</b>	<b>2</b>	<b>2.1</b>	<b>2.1.4</b>	<b>06M91042001</b>

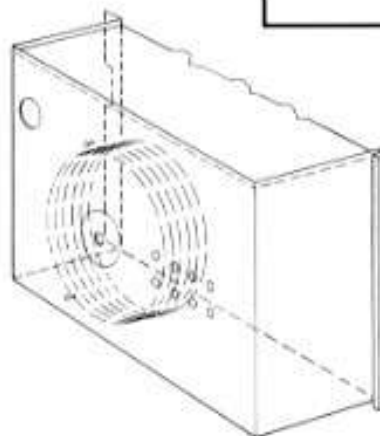
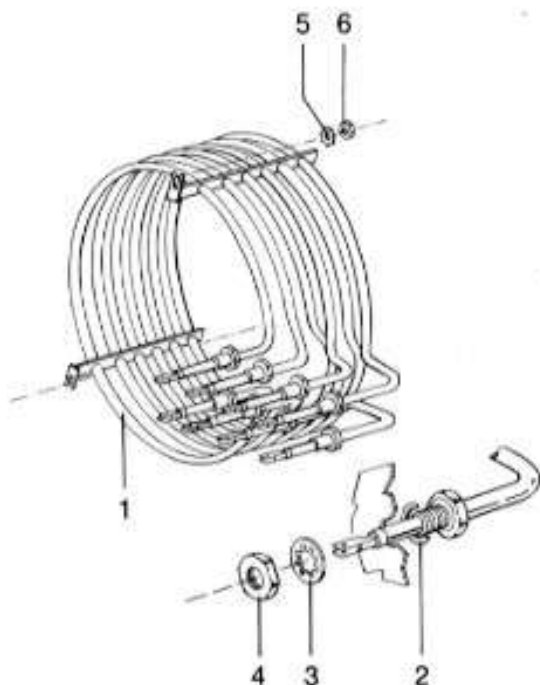


Pos.	Pcs.	Sp.	Part No.	Description	Sign.
1	4		4001.1203	end plate	
2	1		3028.0506	motor contactor	K2
3	1		3035.0517	varistor	VR
4	1		3031.0101	motor protector cpl.	F3
5	-		3031.0105	motor protector	
6	-		3031.0102	auxiliary contact for motor protector	
7	2		3028.0506	contactor hot air	K3,K3.1
8	2		3028.0506	contactor steam generator	K4,K4.1
9	4		3035.0515	RC-link	C1-C4
10	1		3028.0508	Main contactor	K1
11	3		3035.0508	RC-link	C5-C7
12	1		4001.1222	terminal earth 4mm <sup>2</sup>	
13	6		4001.1176	plug-in termination	
14	1		3019.0120	fuse 2A	F1
15	1		3019.0400	fuse 0,5A	F2
16	2		4001.1128	fuse holder	F1,F2
17	1		4001.1227	cover for fuse holder	
18	3		1004.0660	hex socket head screw M4x10	
19	3		1203.0120	toothed lock washer A4,3	
20	3		1304.0160	washer A4,3	
21	1		3006.0101	alarm buzzer	T1
22	1		1002.0120	screw M3x10	
23	1		1203.0120	toothed lock washer A3,2	
24	1		1304.0150	washer A3,2	
25	1		3040.0178	multipoint connector BL10	
26	1		3040.0177	plug-in module BL10	
27	2		2020.0400	cable holder	
28	4		1006.0801	hex-combi-nut M6	



**Hot Air Heating**

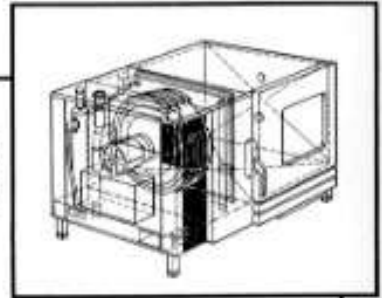
Component Group	Page	Edition	applicable from Serial No.
<b>5</b>	<b>5.1</b>	<b>5.1.1</b>	<b>06M 86 03 1003</b>



Pos.	Pcs.	Sp.	Part No.	Description	Sign
1	1		3004.3507	heating element 9 kW	
2	8		3004.1404	copper washer	
3	8		3004.1405	toothed lock washer	
4	8		3004.1406	hex nut M 14	
5	2		1206.0120	toothed lock washer A 6,4	
6	2		1106.0160	hex nut M 6	

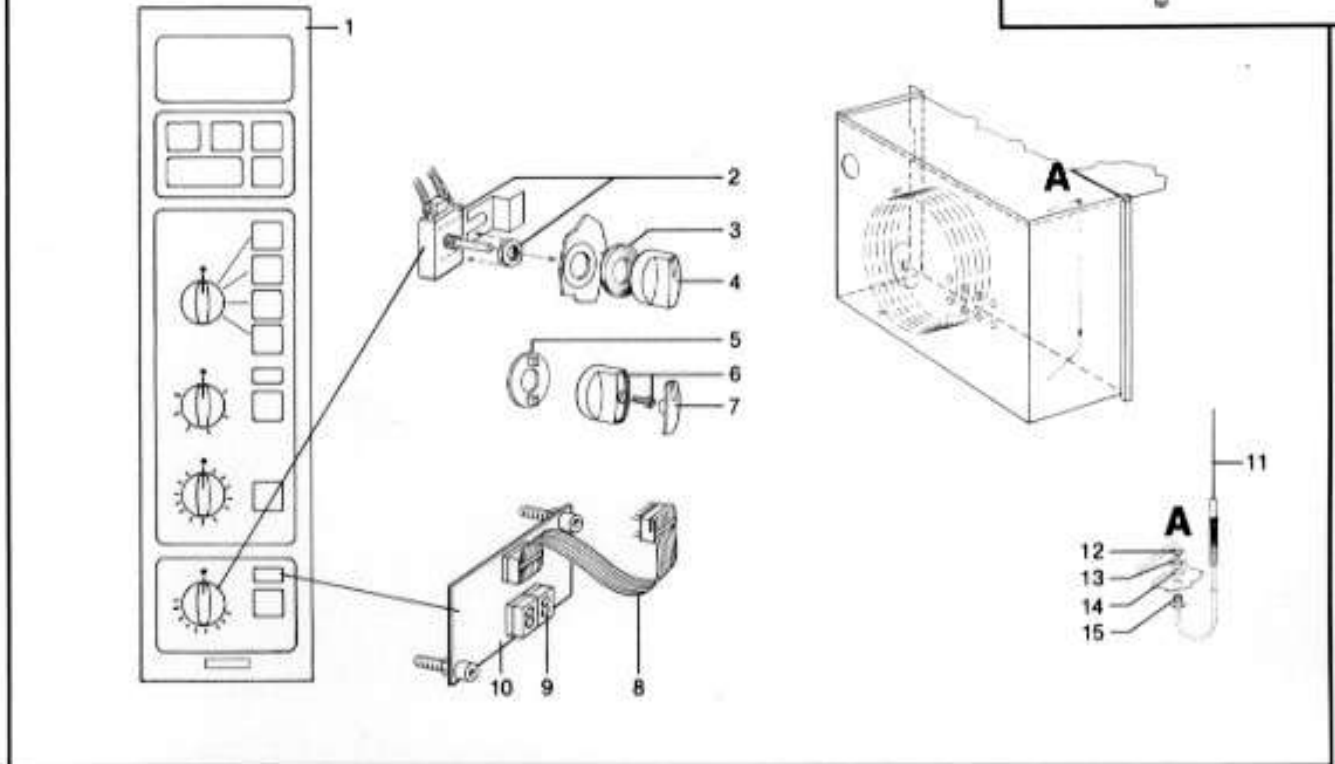
Note: heating elements are delivered with positions 2, 3 and 4.



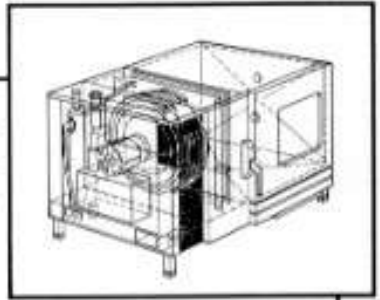


**Core Temperature / Meat Probe**

Component Group	Page	Edition	applicable from Serial No.
<b>3</b>	<b>3.1</b>	<b>3.1.1</b>	<b>06M 86 03 1003</b>

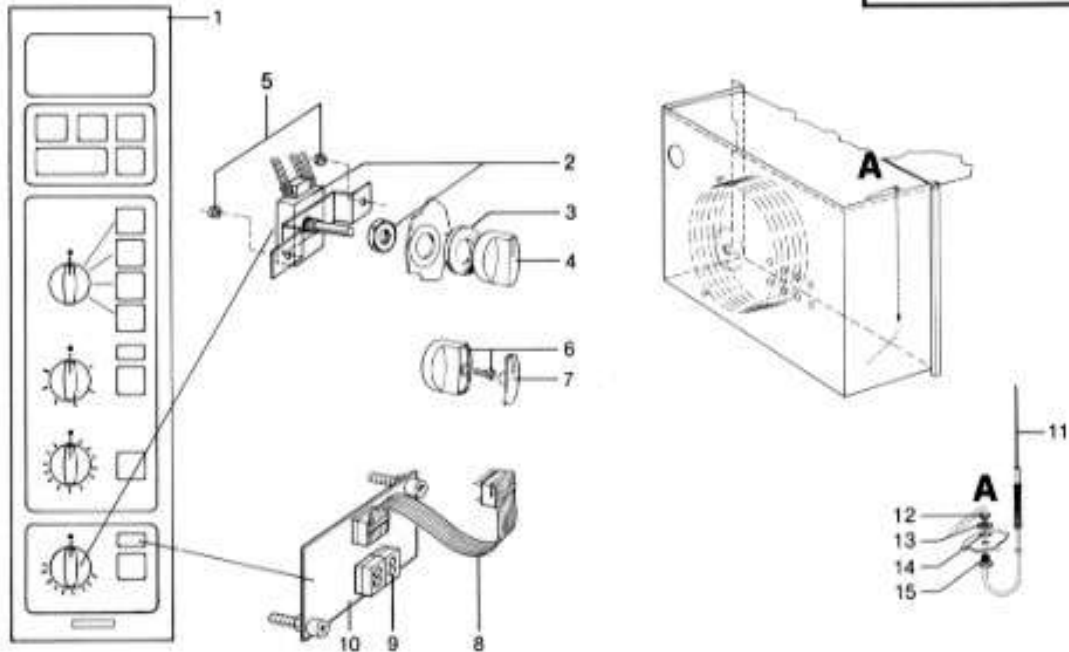


Pos.	Pcs.	Sp.	Part No.	Description	Sign
1	1		2049.0560	control panel	
2	1		3040.0151	potentiometer, core temperature (incl. on/off)	S4,R2
3	1		5012.0530	gasket	
4	1		3013.0325	dial complete	
5	1		3013.0321	nut-cover	
6	1		3013.0320	knob	
7	1		3013.0322	knob-cover	
8	1		3040.0161	flat cable	
9	2		3040.0170	LED-display	
10	1		3040.0152	PCB - core temperature (pos. 8, 9, 10)	
11	1		3035.0607	meat probe sensor	E4
12	1		2066.0508	hose clamp	
13	1		3014.0306	hex nut for stuffing box	
14	1		3035.0606	copper washer	
15	1		3014.0307	stuffing box	

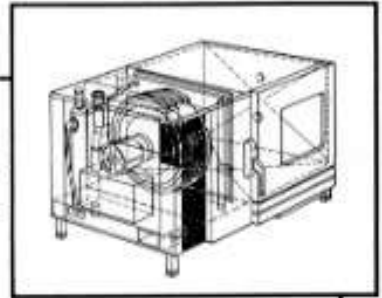


**Core Temperature / Meat Probe**

Component Group	Page	Edition	applicable from Serial No.
<b>3</b>	<b>3.1</b>	<b>3.1.2</b>	<b>06M 87 11 1514</b>

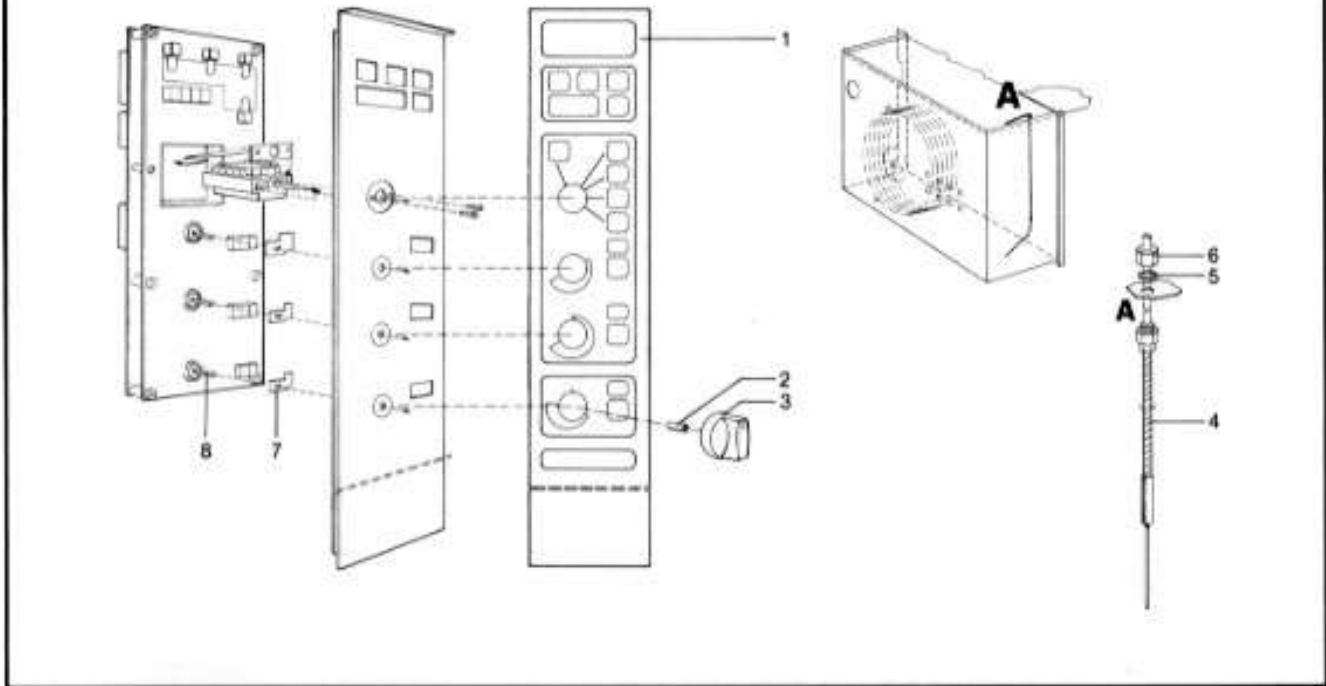


Pos.	Pcs.	Sp. Part No.	Description	Sign
1	1	2049.0560	control panel	
2	1	3040.0151	potentiometer, core temperature (incl. on/off)	S4,R2
3	1	5012.0530	gasket	
4	1	3013.0329	dial complete	
5	1	1106.0801	hex combi nut	
6	1	3013.0326	dial	
7	1	3013.0328	dial-cover	
8	1	3040.0161	flat cable	
9	2	3040.0170	LED-display	
10	1	3040.0152	PCB-core temperature (pos. 8, 9, 10)	
11	1	3035.0607	meat probe sensor	E4
12	1	2066.0508	hose clamp	
13	1	3014.0306	hex nut for stuffing box	
14	1	3035.0606	copper washer	
15	1	3014.0307	stuffing box	



**Core Temperature / Meat Probe**

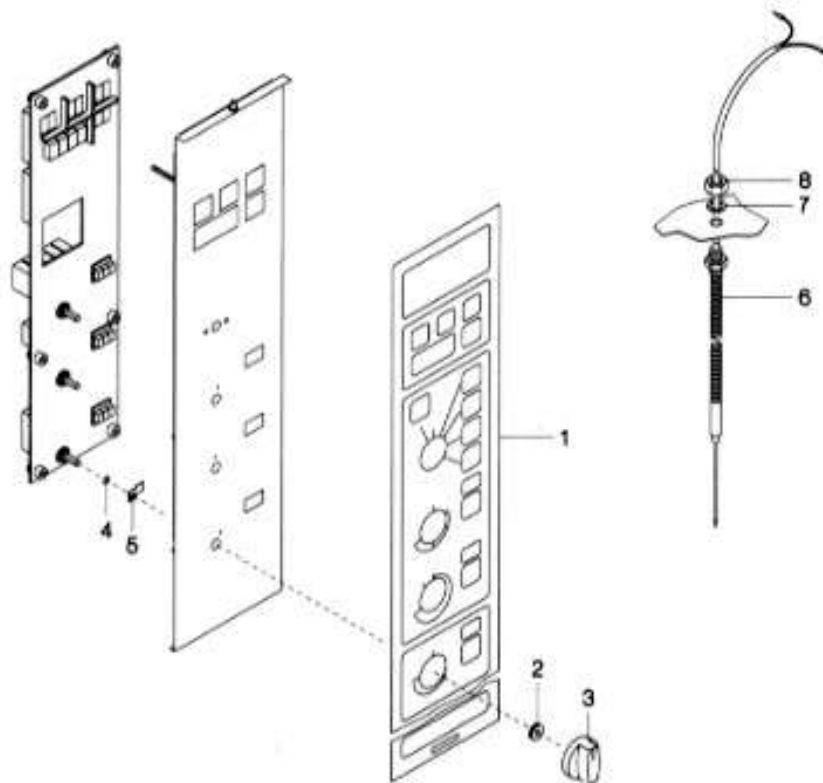
Component Group	Page	Edition	applicable from Serial No.
<b>3</b>	<b>3.1</b>	<b>3.1.3</b>	<b>06M 89 04 1287</b>



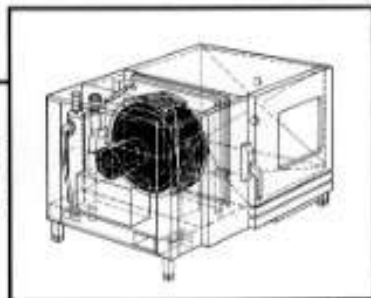
Pos.	Pcs.	Sp.	Part No.	Description	Sign
1	1		2049.0712	control panel	
2	1		2022.0104	bushing	
3	1		3013.0331	dial	
4	1		3035.0623	meat sensor probe	B4
5	1		3035.0606	copper washer	
6	1		1112.0160	hex nut M12	
7	1		2510.520731	stop for poti core temp./timer	
8	1		3040.0183	poti for core temp.	Koch
8	1		3040.0190	poti plug core temp.	Koch
8	1		3040.0186	poti for core temp.	EGO

**Core Temperature / Meat Probe**

Voltage	Group	Page	Edition	Application from Serial. No.
<b>3 N AC 380V 50Hz</b>	<b>3</b>	<b>3.1</b>	<b>3.1.4</b>	<b>06M91042001</b>

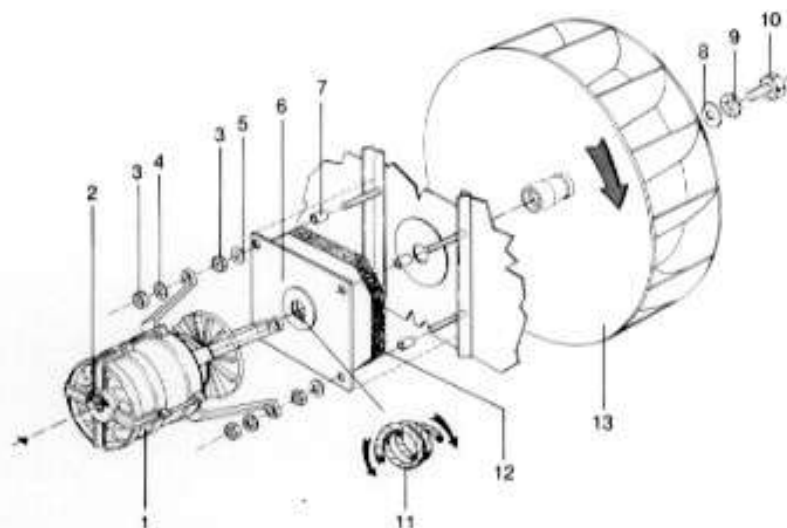


Pos.	Pcs.	Sp.	Part No.	Description	Sign.
1	1		2049.0820	control panel	
2	1		2022.0104	grommet	
3	1		3013.0330	dial	
4	1		1315.0101	copper washer	
5	1		2510.520731	stop for poti	
6	1		3035.0623	core temperature sensor core temperature	E1
7	1		3035.0606	copper washer	
8	1		1112.0160	hex nut M12	



**Motor and Fan Wheel**

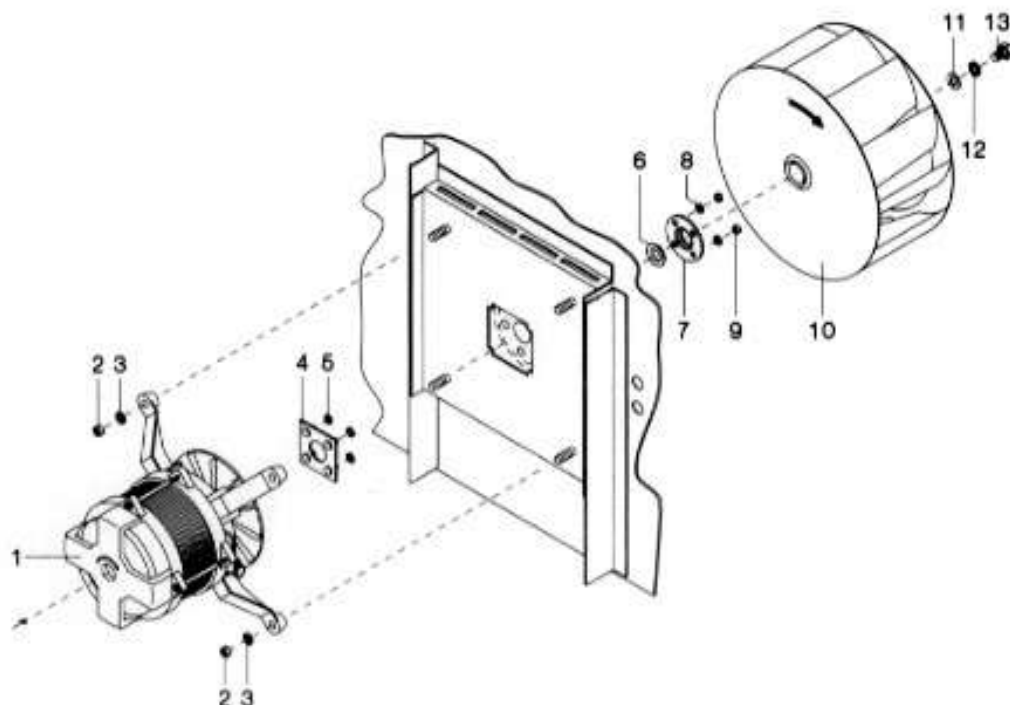
Component Group	Page	Edition	applicable from Serial No.
<b>6</b>	<b>6.1</b>	<b>6.1.1</b>	<b>06M 86 03 1003</b>



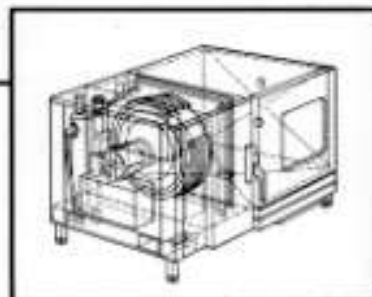
Pos.	Pcs.	Sp.	Part No.	Description	Sign
1	1		3001.0400	motor	
2	1		4019.0012	label direction of fan rotation	
3	8		1108.0260	hex nut M8	
4	4		1208.0160	toothed lock washer A 8,4	
5	4		1308.0561	washer $\varnothing$ 9mm	
6	1		8006.8008	motor shaft packing complete	
7	4		2016.0848	spacer	
8	1		1310.0160	washer A 10,5	
9	1		1210.0160	toothed lock washer A 10,5	
10	1		1010.0760	hex screw M 10 x16	
11	1		5002.0300	rope packing, greased	
12	1		5009.0100	insulation plate 200x205x20 mm	
13	1		2012.0602	fan wheel complete (with pos. 8-10)	

**Motor and Fan Wheel**

Voltage	Group	Page	Edition	Application from Serial. No.
<b>3 N AC 380V 50Hz</b>	<b>6</b>	<b>6.1</b>	<b>6.1.2</b>	<b>06M91042001</b>

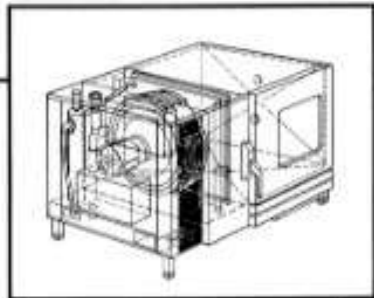


Pos.	Pcs.	Sp. Part No.	Description	Sign.
1	1	3001.0426	motor	M1
2	4	1108.0260	hex nut M8	
3	4	1208.0160	toothed lock washer A8,4	
4	1	8506.0104	holder plate	
5	4	1315.0101	copper washer	
6	1	5001.0207	motor gasket	
7	1	2016.0876	gasket flange	
8	4	1306.0120	washer A6,4	
9	4	1106.0220	hex nut M6 flat	
10	1	2012.0602	fan wheel	
11	1	1310.0160	washer A10,5	
12	1	1210.0160	toothed lock washer A10,5	
13	1	1010.0760	hex screw M10x16	

**Miscellaneous**

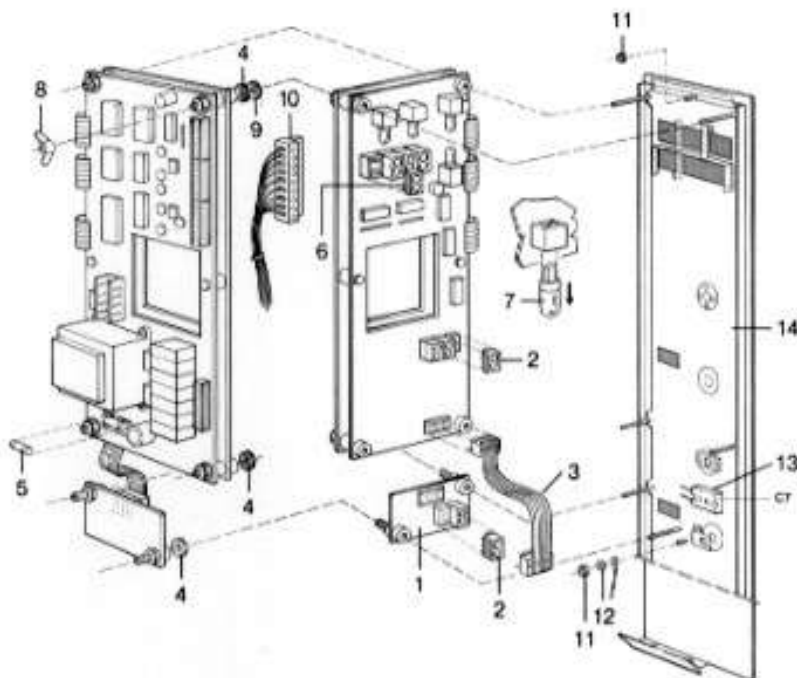
Pos.	Pcs.	Sp. Part No.	Description	Sign
1	1	8801.0994	interior wiring (wiring harness)	
2	100	4002.0100	cabie shoes 2,5 x 6,3	
3	100m	8801.1000	silicone wire, coloured 1,5 mm <sup>2</sup> , (indicate colour)	
4		9009.1000	high heat paste (tube)	
5		5006.0200	silicone (tube)	
6	1	2019.0101	knob for transport trolley	
7	2	2005.0401	castor without brake for transport trolley	
8	2	2005.0402	castor with brake for transport trolley	
9	1	8400.3002	handle for transport trolley	
10		1603.0164	pop rivet 3,2 x 10	
11		1004.2160	hex head tapping screw B 4,2 complete with washer V 2 A	
12		1104.0821	climp V 2 A	
13		2001.0040	loctite, heat resistant 10 ml	
14		9006.0850	stainless steel cleaner paste	



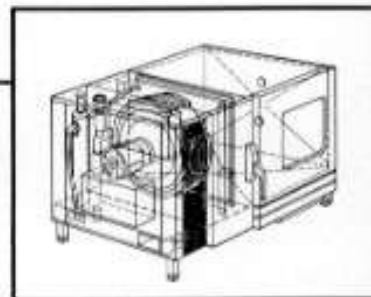


**Control Panel**

Component Group	Page	Edition	applicable from Serial No.
<b>1</b>	<b>1.2</b>	<b>1.2.1</b>	<b>06M 86 03 1003</b>

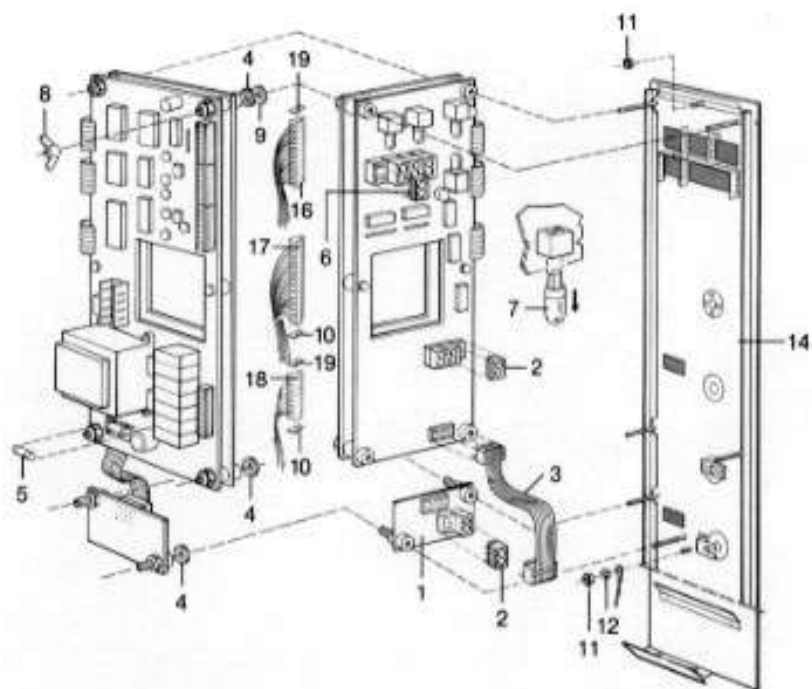


Pos.	Pcs.	Sp.	Part No.	Description	Sign
-	1		3040.0100	PCB - complete (pos. 1 - 7)	
1	1		3040.0152	PCB - core temperature (pos. 2, 3, 4)	
2	5		3040.0170	LED-display	
3	1		3040.0161	flat cable	
4	6		3040.0180	spacer	
5	1		3019.0110	fuse 0,1 A	F4
6	4		3040.0171	LED-display	
7	4		3024.0210	bulb	
8	6		1104.0500	wing-nut	
9	2		2022.0100	gasket	
10	4		3040.0160	multipoint connector	
11	2		1106.0160	hex nut M 6	
12	1		1206.0120	toothed lock washer A 6,4	
13	1		3035.0508	RC-link	C7
14	1		8600.0100	front panel	
15	2		1004.2160	hex head tapping screw B 4,2	

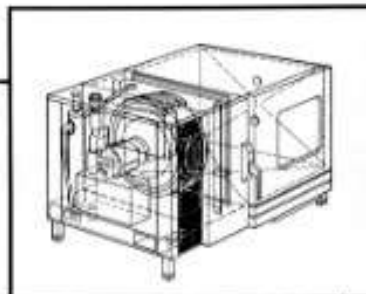


**Control Panel**

Component Group	Page	Edition	applicable from Serial No.
<b>1</b>	<b>1.2</b>	<b>1.2.2</b>	<b>06M 87111514</b>

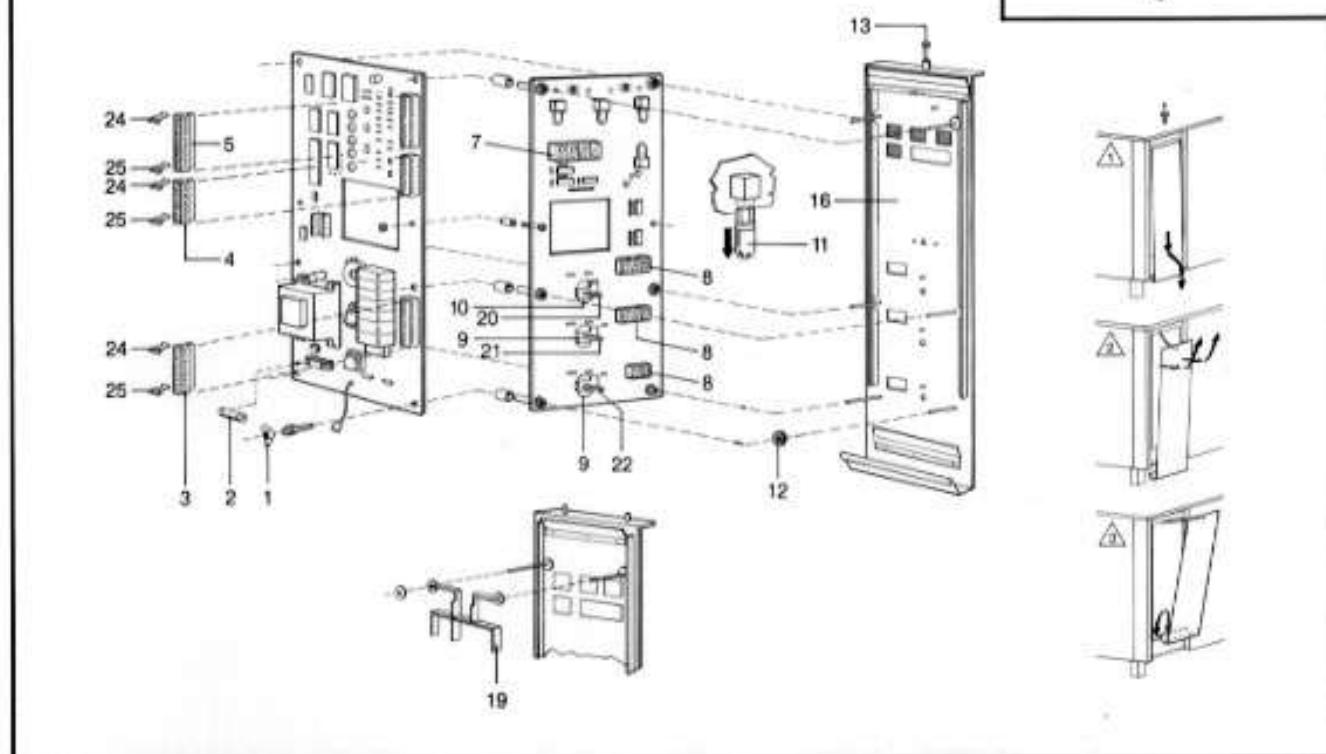


Pos.	Pcs.	Sp.	Part No.	Description	Sign
-	1		3040.0100	PCB - complete (pos. 1 - 7)	
1	1		3040.0152	PCB - core temperature (pos 2,3,4)	
2	5		3040.0170	LED-display	
3	1		3040.0161	flat cable	
4	6		3040.0180	gasket	
5	1		3019.0111	fuse 0,25 A	F4
6	4		3040.0171	LED-display	
7	4		3024.0210	bulb	
8	6		1104.0500	wing-nut M4	
9	2		2022.0100	gasket	
10	2		3040.0164	clip for multipoint connector right	
11	2		1106.0160	hex nut M6	
12	1		1206.0120	toothed lock washer A 6,4	
14	1		8600.0100	front panel	
15	2		1004.2160	hex head tapping screw B4,2	
16	1		3040.0162	multipoint connector BL 13	
17	1		3040.0163	multipoint connector BL 14	
18	1		3040.0160	multipoint connector BL 9	
19	2		3040.0191	clip for multipoint connector left	



**Control Panel**

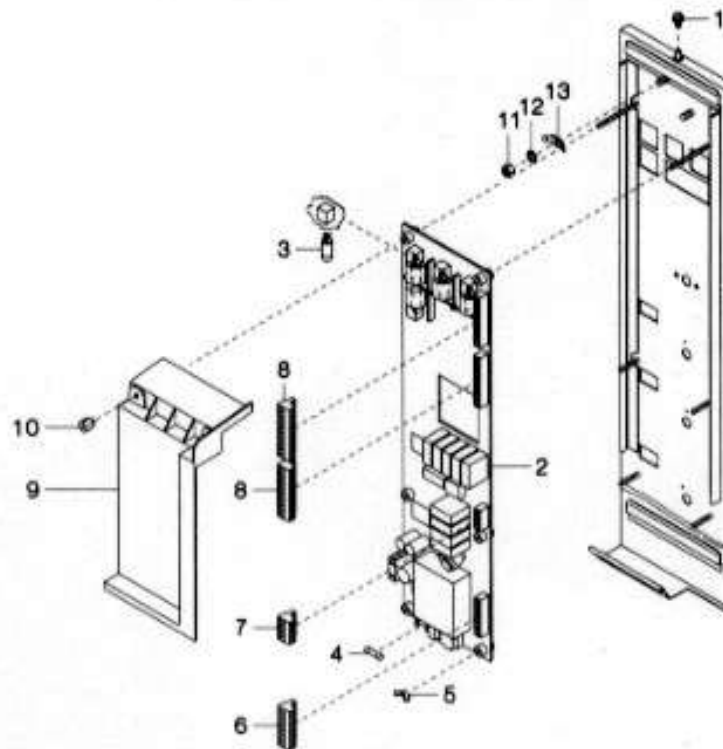
Component Group	Page	Edition	applicable from Serial No.
<b>1</b>	<b>1.2</b>	<b>1.2.3</b>	<b>06M 89 04 1287</b>



Pos.	Pcs.	Sp.	Part No.	Description	Sign
-	1		3040.0110	PCB - complete (pos. 1-8)	
1	6		1104.0500	wing nut M4	
2	1		3019.0111	fuse 0,25 A	F4
3	1		3040.0160	multipoint connector BL9	
4	1		3040.0165	multipoint connector BL8	
5	1		3040.0166	multipoint connector BL11	
7	4		3040.0171	LED-display	
8	8		3040.0170	LED-display	
9	2		2510.520731	stop for poti core temp./timer	
10	1		2510.530746	stop for poti hot air	
11	4		3024.0210	bulb	
12	6		2022.0100	gasket	
13	2		1005.2000	safety screw	
16	1		8600.01000489	front panel	
19	1		2024.0100	plastic lamp dome	
20	1		3040.0181	poti hot air	Koch
21	1		3040.0182	poti timer	Koch
22	1		3040.0183	poti core temp.	Koch
20	1		3040.0188	poti plug hot air	Koch
21	1		3040.0189	poti plug timer	Koch
22	1		3040.0190	poti plug core temp.	Koch
20	1		3040.0184	poti hot air	EGO
21	1		3040.0185	poti timer	EGO
22	1		3040.0186	poti core temp.	EGO
23	3		2022.0101	bushing	
24	3		3040.0191	clip for multipoint connector left	
25	3		3040.0164	clip for multipoint connector right	

**Control Panel**

Voltage	Group	Page	Edition	Application from Serial. No.
<b>3 N AC 380V 50Hz</b>	<b>1</b>	<b>1.2</b>	<b>1.2.4</b>	<b>06M91042001</b>



Pos.	Pcs.	Sp.	Part No.	Description	Sign.
1	1		1002.2000	safety screw M5x8	
2	1		3040.2030	PCB complete	
3	4		3024.0210	bulb	
4	1		3019.0116	fuse 0,125A	F6
5	6		1104.0500	wing-nut M4	
6	1		3040.0160	multipoint connector BL9	
7	1		3040.0195	multipoint connector BL5	
8	2		3040.0199	multipoint connector BL12	
9	1		2039.0317	cover for pcb	
10	1		1116.0101	sleeve nut	
11	1		1106.0160	hex nut M6	
12	1		1206.0120	toothed lock washer A6,4	
13	1		4002.0110	branch box for flat plug	